



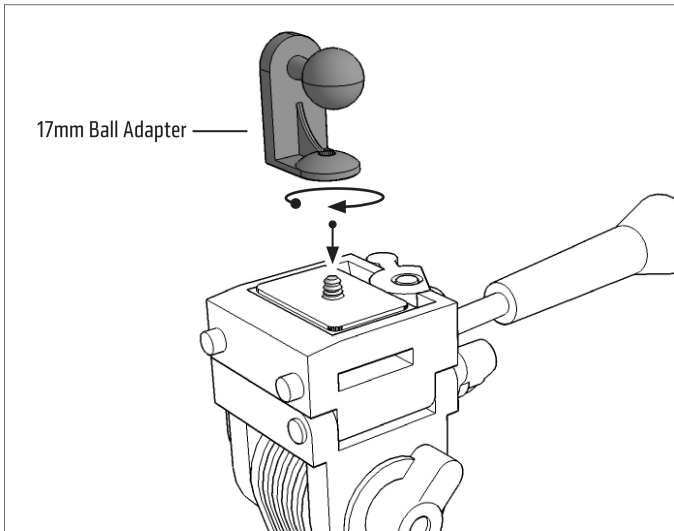
AP142017MM

**Package Contents:**

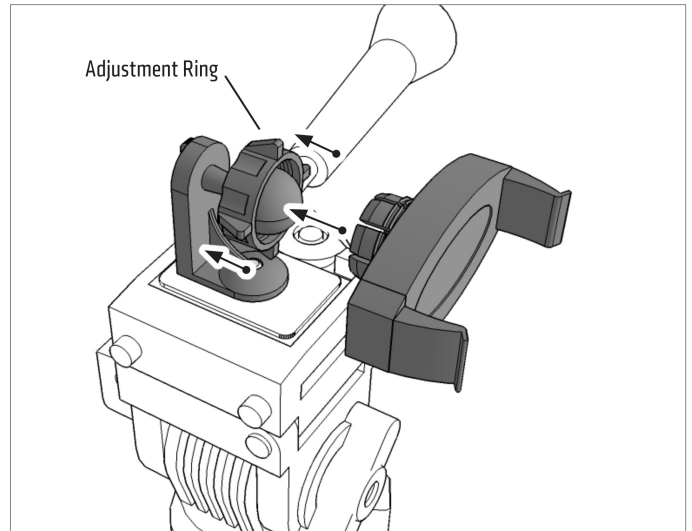
(1) AP142017MM -1/4"-20 Camera Pattern to 17mm Ball Pattern Adapter

Use on tripods with Mobile Grip 2 Universal Smartphone Holder (shown below).

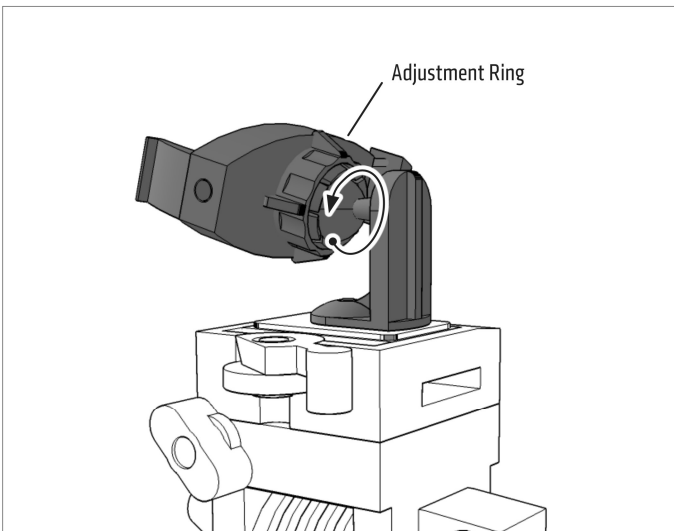
- 1 Screw 17mm Ball Adapter onto any tripod or holder (sold separately, not included) with a 1/4"-20 mounting bolt.



- 2 Attach any 17mm ball mount compatible holder (sold separately, not included) by placing the adjustment ring over the pedestal ball then snapping the holder onto the pedestal.



- 3 Adjust position by loosening the adjustment ring. Retighten to set.



**Safety Precautions**

Arkon is not responsible for any damages caused to your vehicle, your device, or yourself due to the installation or use of this mount.

**ARKON**  
RESOURCES INC.

*The Mobile Mounting Specialists™*

Consumer Hotline:

USA (800) 841-0884

INT'L (626) 254-9005

Monday - Friday 9am - 5pm, PST

[www.arkon.com](http://www.arkon.com)

Arcadia, CA 91006 USA

Designed in USA | Made in China

© Copyright 2014 Arkon Resources, Inc.