

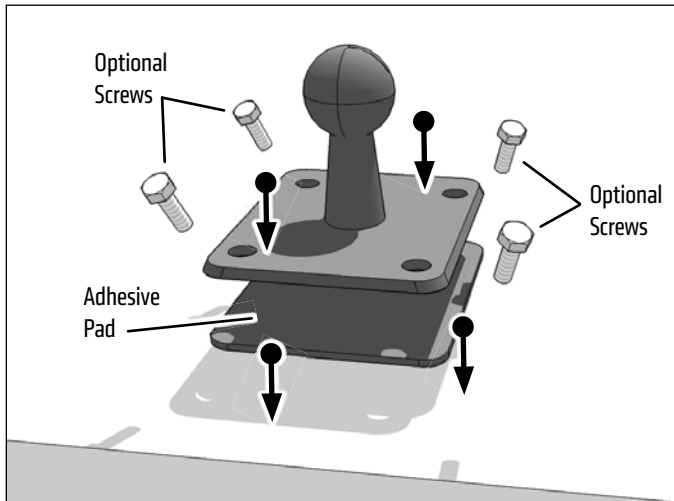


Package Contents:

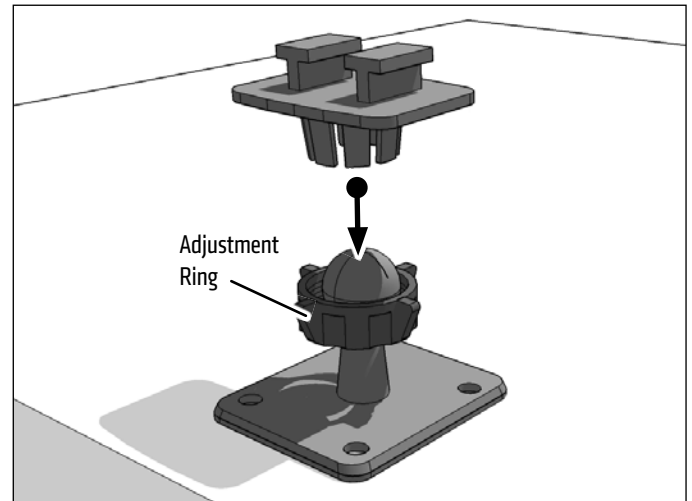
- (1) APAMPS17MM - 4-Hole AMPs to 17mm Ball Adapter
- (1) SP-SB-KIT - Dual T-Tab Head with Adjustment Ring
- (1) APVHB5952 - 3M Rectangular-Shaped Adhesive Pad
- (1) SP-12M-4M7 - Screw / Nut 4-Pack

Compatible with most Arkon Dual-T smartphone holders, including SM060-2 (Slim-Grip® Ultra™ Universal Smartphone Holder) and SM040-2 (Mega Grip Universal Smartphone Holder).

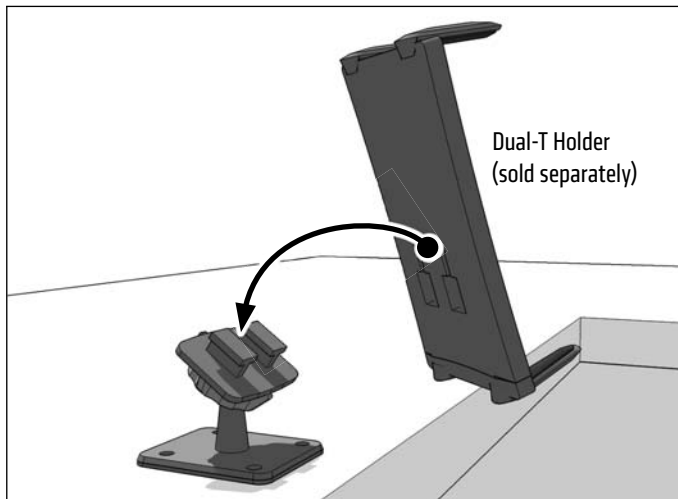
- 1** Attach adapter plate to a secure, clean surface by adhering the adhesive pad to the surface. Or, drill screws into a solid, flat surface for a more permanent solution.



- 2** Place adjustment ring over the 17mm pedestal ball. Snap the Dual-T adapter onto the mount ball. Tighten adjustment ring to set position.



- 3** Attach a Dual-T holder (not included, sold separately) by sliding the Dual T-Tabs into the Dual T-Slots on the holder.



! Safety Precautions
Do not install Arkon products over an air bag cover or within the air bag deployment zone. Arkon Resources, Inc. assumes no responsibility of liability for injury or death as a result of car crashes and / or air bag deployment.

Arkon is not responsible for any damages caused to your vehicle, your device, or yourself due to the installation or use of this mount.

ARKON
RESOURCES INC. *The Mobile Mounting Specialists™*

Consumer Hotline: www.arkon.com
 USA (800) 841-0884 Arcadia, CA 91006 USA
 INT'L (626) 254-9005 Designed in USA | Made in Taiwan
 Monday - Friday 9am - 5pm, PST © Copyright 2014 Arkon Resources, Inc.