

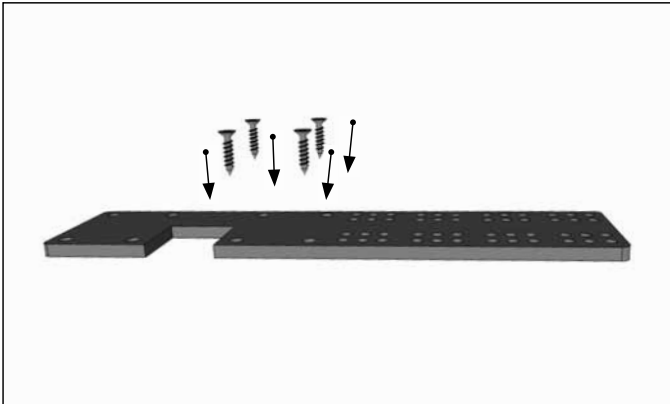
Package Contents:

(1) APEQUIPTAB – Metal Tablet Mounting Plate

Plate measures 9.25" (235mm) x 2" (50mm)

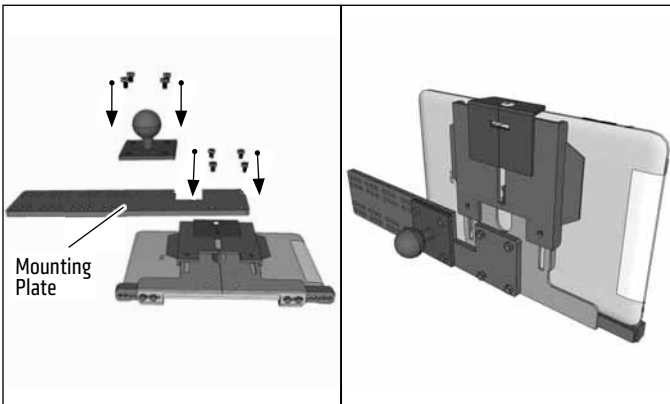
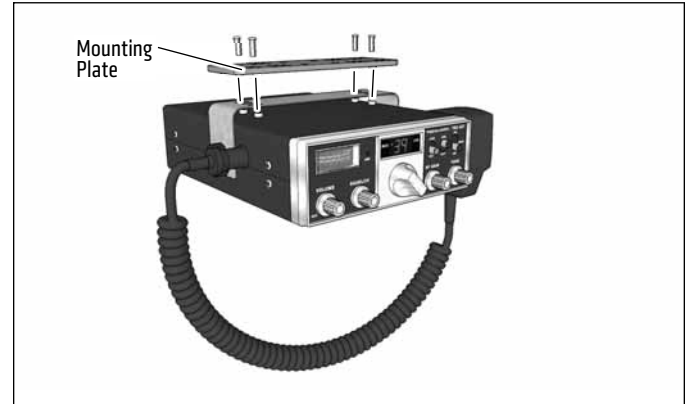
NOTE: 4-Hole AMPS patterns are included (spaced at 30.17mm x 38.05mm, measured as the center-to-center distance between holes)

- Using a screwdriver and/or drill, attach the mounting plate to desired surface with screws (not included).



Optional: Use mounting plate to attach Model TAB004KL-B and other products as shown.

- Devices can be attached to mounting plate using the 4mm and 5mm unthreaded holes or using the 4-Hole AMPS mounting pattern.



ARKON
RESOURCES INC.

The Mobile Mounting Specialists™

Consumer Hotline:

USA (800) 841-0884

INT'L (626) 254-9005

Monday - Friday 9 am - 5 pm, PST

www.arkon.com

Arcadia, CA 91006 USA

Designed in USA | Made in Taiwan

© Copyright 2017 Arkon Resources, Inc.