



**Includes:**

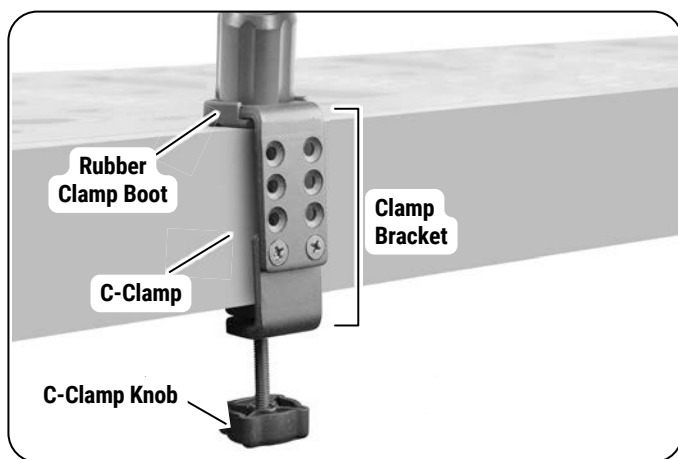
- 1 - Slim-Grip® Tablet Holder Kit (TAB001)
- 1 - 22mm Ball Clamp Post Mount (GN03122)
- 1 - Clamp Base for Pro Stand (HD011)
- 1 - Mobile Grip 5 Universal Phone Holder (MG005WR)
- 1 - Triple Shaft Overhead Arm (SP3RMPROPL)
- 1 - 25mm Ball to 1/4"-20 Camera Adapter (SP25MMCAM)
- 1 - Rechargeable Clip-On LED Ring Light (SPLEDRING)
- 1 - 22mm Ball to Dual T-Tab Adapter Kit (SP-SBH-KIT-22)

Optional - (1) Rubber Clamp Boot

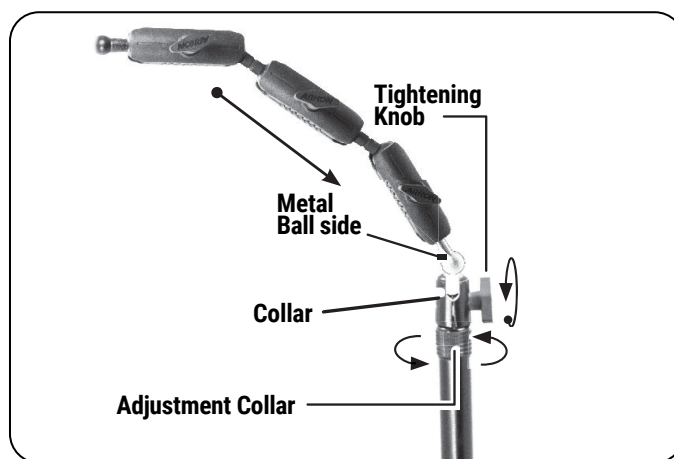
Clamp opening: 0" - 3" (0mm - 76mm)

**IMPORTANT:** For the tablet holder, select the appropriate short or long support legs and install to holder. For large devices, select 4 long support legs.

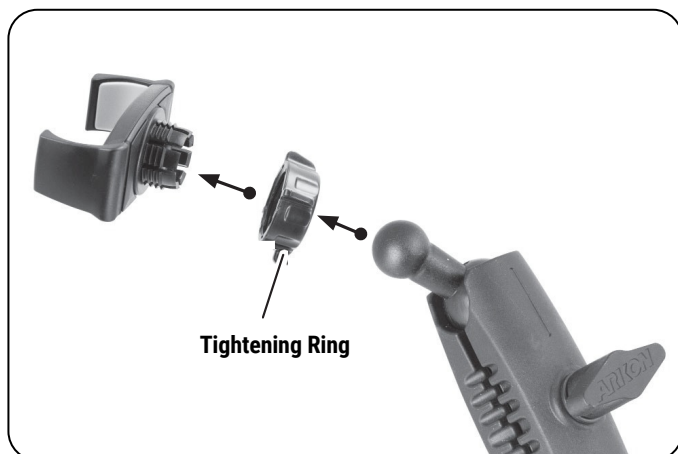
**1** Attach the mount clamp by rotating the C-Clamp knob. Use a Phillips screwdriver to adjust the clamp bracket position. Optionally, slide a rubber boot onto the top of the mount's clamp to prevent scratches if preferred.



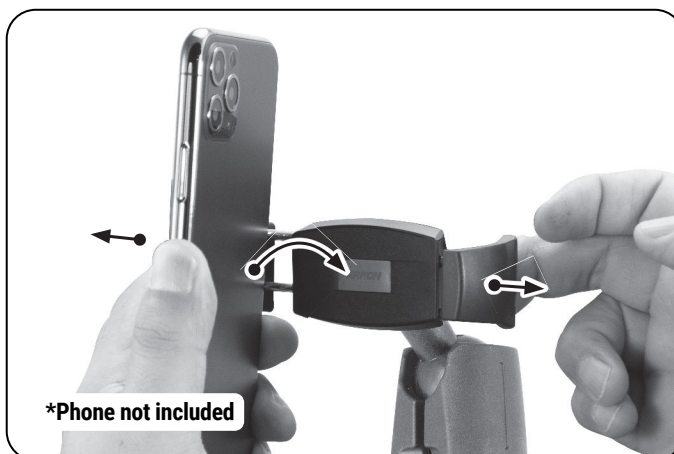
**2** Attach the overhead arm assembly to the clamp pedestal by loosening the collar at the pole's top until the metal ball side of the overhead arm assembly fits into the collar. Then, tighten the collar clockwise to secure it in place.



**3** Remove the tightening ring from the holder. Position the ring onto the 17mm end of the mount and snap the holder onto the ball. Adjust to your preferred position, then secure the ring tightly.



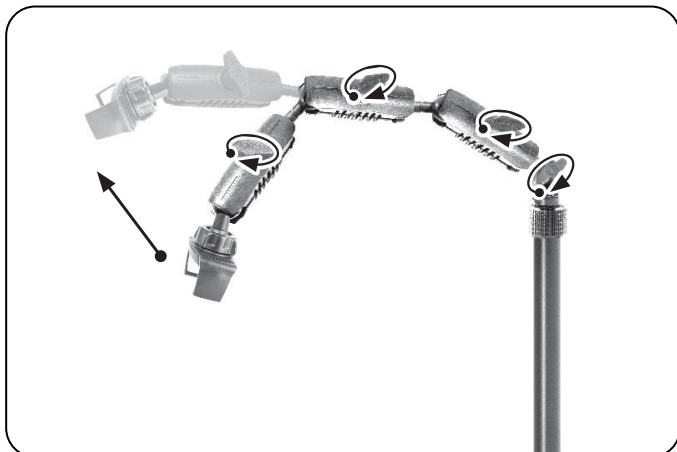
**4** Place the phone in the holder using both hands. Insert the device by pushing it into one of the spring-loaded support arms. Then, expand the other support arm and insert the device completely.



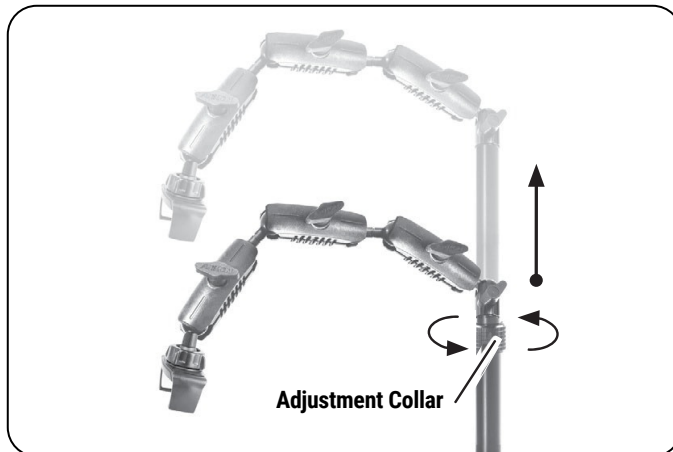
Continued on page 2



**5** To adjust individual shafts, loosen them by turning the knobs counter clockwise. Then, tighten the knobs to set them in place.



**6** Adjust the height of the pole by loosening the adjustment collar counterclockwise. Tighten clockwise to set height.



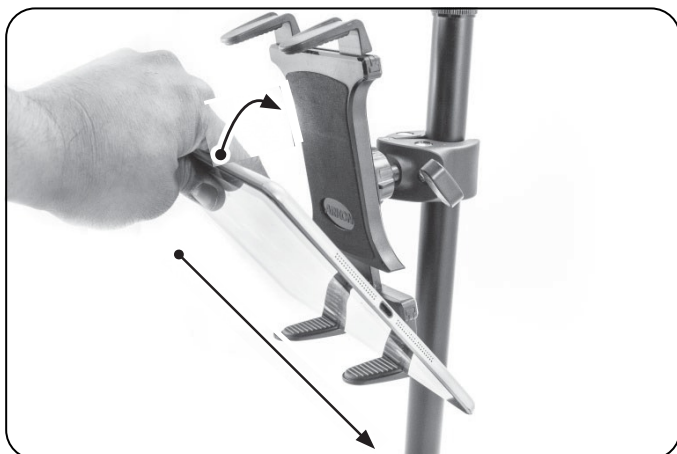
**7** Attach the Slim-Grip tablet holder by inserting the Dual T-Tabs on the clamp head into the Dual T-Slots of the holder.



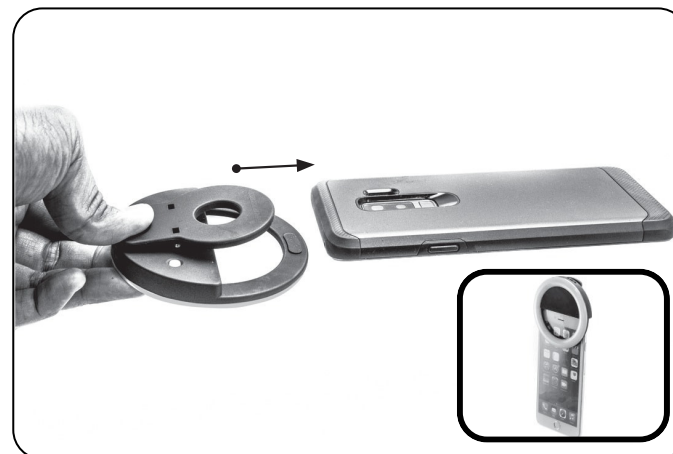
**8** Loosen the grip by unscrewing the mount's knob. Position the mount around the pole and tighten the knob to secure it.



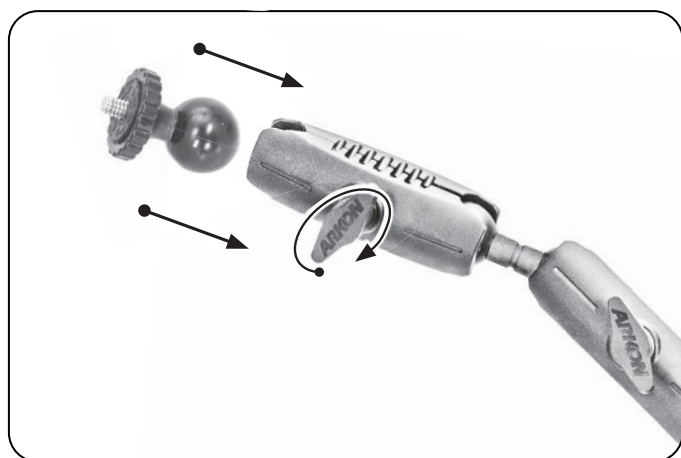
**9** Press down on the lower legs of the spring-loaded holder to insert the tablet.



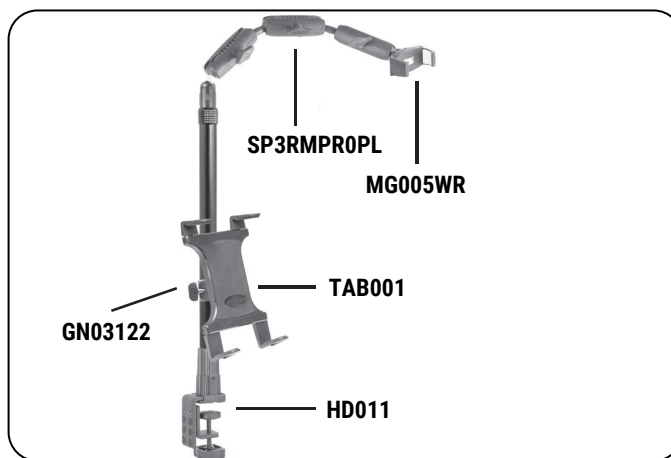
**10** Clip the ring light onto the top of your smartphone for better lighting.



**11** **OPTIONAL** - To attach the camera/pico projector adapter, first, unscrew the shaft knob. Then, remove the phone holder, ring, and ball adapter. Next, connect the 25mm ball end of the camera adapter to the shaft and tighten it clockwise to secure it in place.



**12** Fully assembled is shown below.



**NOTES:**

- The telescoping pole extends from 17 inches to 29 inches in height.
- Compatibility: The holder accommodates smartphones up to 3.9" wide.
- The adapter is suitable for cameras with a 1/4"-20 pattern.
- Remember: Avoid over-tightening the ring as it may harm the threads on the holder.

**WARNING**

CHOKING HAZARD - Keep out of reach from children under 8 yrs. as they can choke or suffocate on parts included with this system

**WARNING**

Arkon® is not responsible for any damages caused to your device or yourself due to the installation or use of this mount. Do not install Arkon® products near areas that interfere with operation of vehicles. Arkon® assumes no responsibility or liability for injury or death as a result of failure to install in a safe location. Arkon® is not responsible for any damages caused to vehicles, product, or people due to the installation or use of this product.

