


Package Contents:

- (1) CM088-G17-SBH - 18" Flexible gooseneck seat bolt, floor, or console mount includes:
 - (1) seat bolt bracket, (1) floor / console bracket, (4) screws, (4) plastic caps, and
 - (1) flexible steel shaft with plastic tubing, (1) Dual-T swivel ball head (installed)
- (1) AP015 - Dual-T to 4 hole adapter plate

Required Tools for Installation:

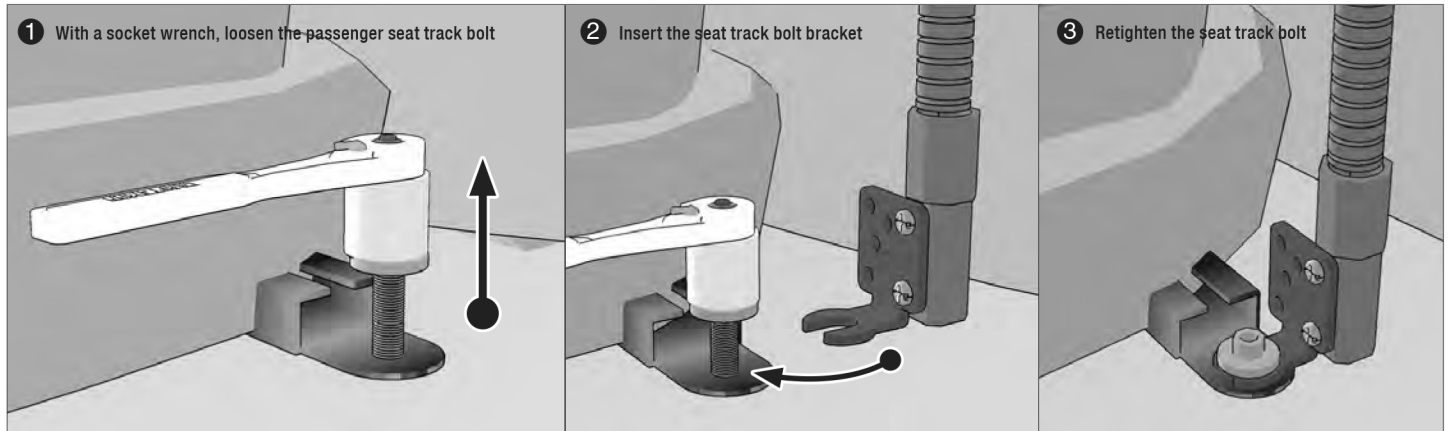
- 1. Socket wrench
- 2. Drill and philips screwdriver for optional floor or console mounting

 Do not place mount in or near an air bag deployment zone or where it will obstruct view of the road.




Passenger Seat Bolt Mounting

For a simple mount that can be easily moved to another vehicle, install using the passenger seat track bolt.



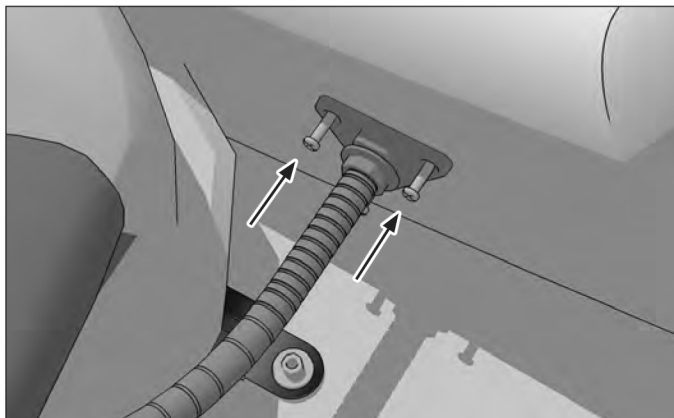
Alternative Floor or Console Mounting

For a more permanent mount, connect the Floor / Console Mount Bracket to the floor or console. This will require drilling into your vehicle's interior surface.

 Drilling into the dash, floor, or console could damage the vehicle. Use caution and consult a mobile install professional to avoid drilling into the gas tank, electrical system or other highly sensitive vehicle components.

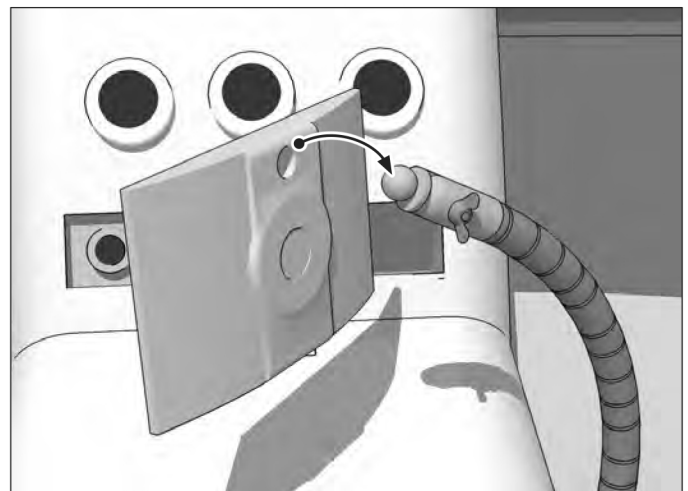
Step 1. Screw the mount bracket to the mount. Depending on your vehicle, you may need to change the orientation of the bracket.

Step 2. Attach the Floor / Console Bracket with screws.




Attach Garmin Nuvi Device to Mount

Attach Garmin Nuvi device to the ball on the mount head.



www.arkon.com
 Arcadia, CA 91006 USA
 Designed in USA | Made in Taiwan
 © Copyright 2022 Arkon Resources, Inc.

Consumer Hotline:
 USA (800) 841-0884
 INT'L (626) 254-9005
 Monday - Friday 9am - 5pm, PST

 **Safety Precautions**
 Arkon is not responsible for any damages caused to your vehicle, your device, or yourself due to the installation or use of this product. Do not install Arkon products over an airbag cover or within the airbag deployment zone. Arkon Resources, Inc. assumes no responsibility of liability for injury or death as a result of car crashes and / or airbag deployment.