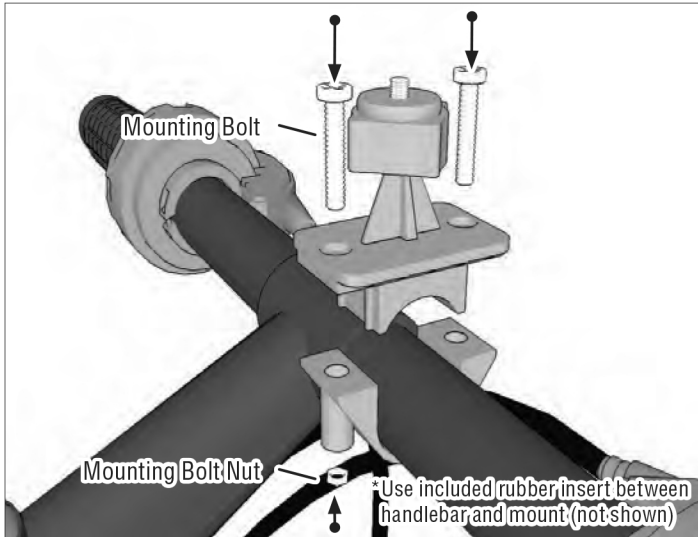


Package Contents:

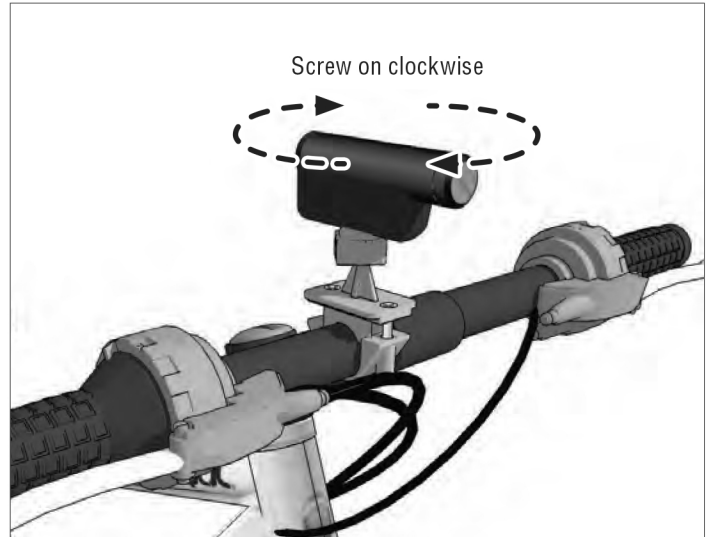
CMP227
Bike Handlebar
Camera Mount



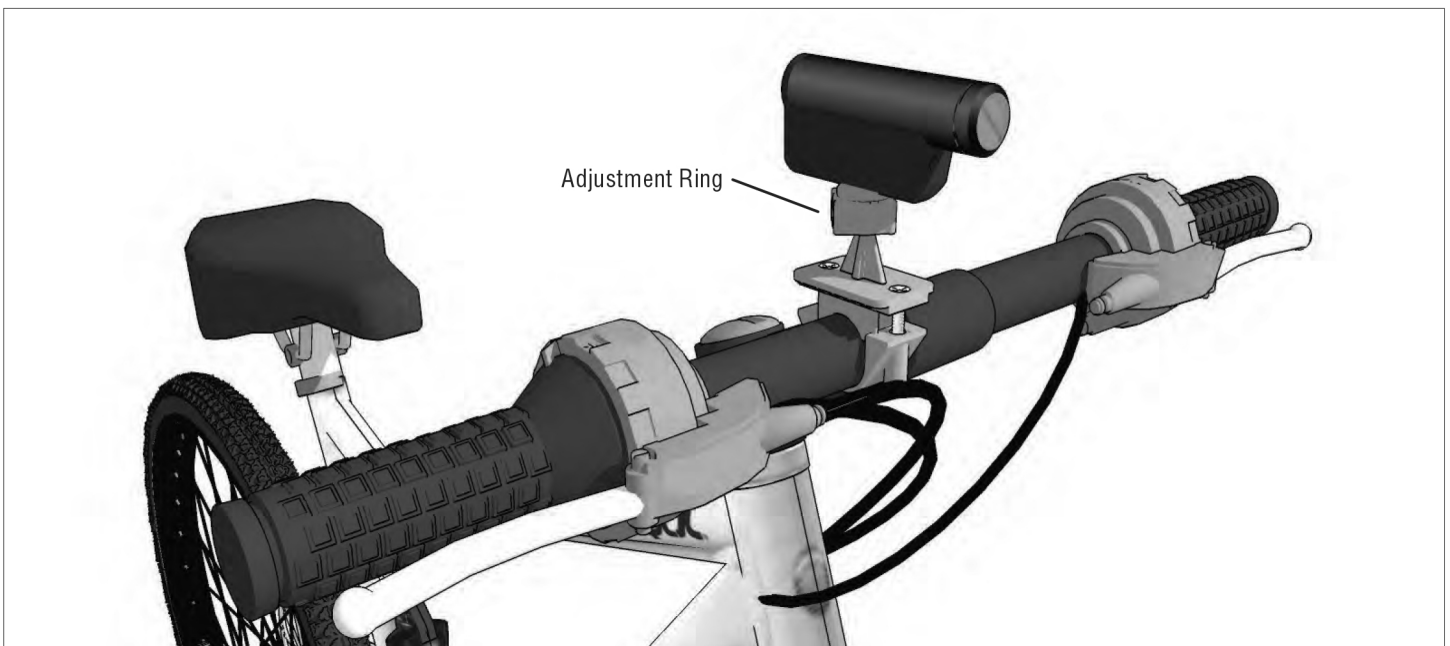
- 1** Attach the mount to handlebar with a Phillips screwdriver



- 2** Attach camera or other device with 1/4" 20 mounting pattern to mounting screw on the mount



- 3** Adjust position of camera and tighten the adjustment ring to secure



Safety Precautions

Arkon is not responsible for any damages caused to your vehicle, your device, or yourself due to the installation or use of this mount.