



Package Contents:

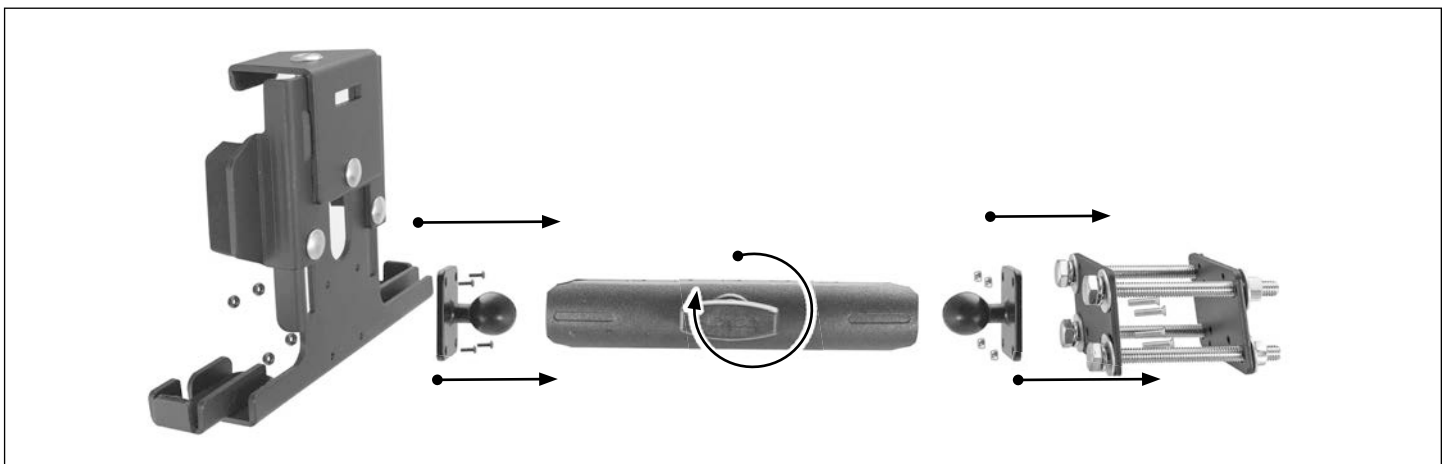
- (1) TAB004KL – Universal Locking Tablet Holder
- (2) APMAMPS25MM – Metal AMPS to 25mm Ball Adapter
- (2) APFLBKTRC – 2.5" x 4" Black Steel Recessed Forklift Mounting Plate
- (1) SP4FLIFT – Hardware Pack
- (1) SPRM256B – 6" 25mm Robust Mount Shaft
- (1) SP-12M-4M7 – Screw Pack

Optional (for converting locking tablet holder to NON-LOCKING option):

- (1) SPRMLGKNOBNL – Large Robust Shaft Knob (see page 2)

Each steel plate weighs just over .5 pounds and measures 4" x 2.5" x 1/4" (101mm x 64mm x 6mm).

FLBK256TAB4 includes two steel mounting plates for placement on either side of the forklift pillar. Use the included recessed plate hardware to secure the recessed plate to the FRONT of the forklift pillar. Use the included 3/8-16x4" Tap Bolts with washers and nuts to secure the plates at each corner.



⚠ Safety Precautions

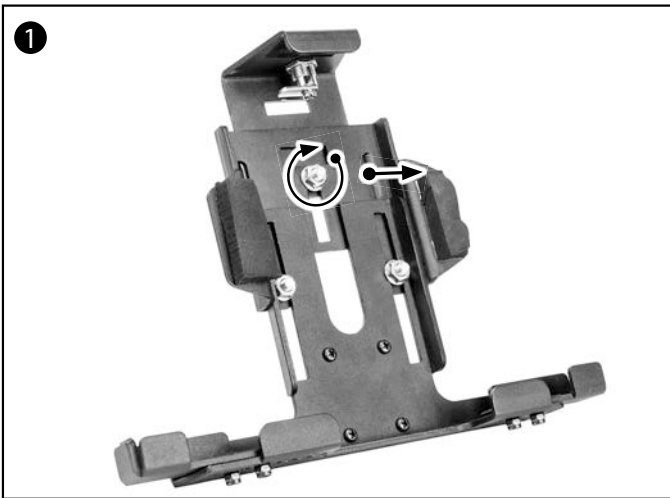
Use caution during installation when handling heavy metal plates to avoid injury. Arkon assumes no responsibility of liability for injury or death due to the installation or use of this mount.

ARKON MOUNTS

Consumer Hotline:
USA (800) 841-0884
INT'L (626) 254-9005
 Monday - Friday 9 am - 5 pm, PST

www.arkon.com
 Arcadia, CA 91006 USA
 Designed in USA | Made in Taiwan and USA
 © Copyright 2020 Arkon Resources, Inc.

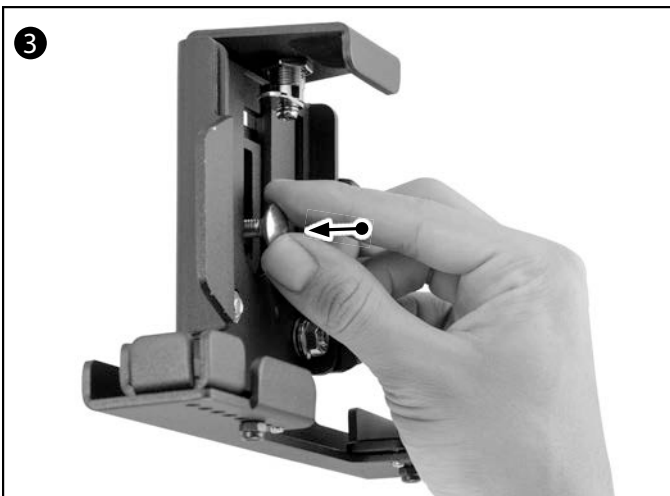
To convert the metal locking tablet holder to a NON-LOCKING option:



Remove nut from the center of the front of the holder.



Pull screw out from the back of the holder.



Re-insert screw to the front of the holder.



Attach knob to screw on the back of the holder.

⚠ Safety Precautions

Use caution during installation when handling heavy metal plates to avoid injury. Arkon assumes no responsibility of liability for injury or death due to the installation or use of this mount.

ARKON MOUNTS

Consumer Hotline:
USA (800) 841-0884
INT'L (626) 254-9005
 Monday - Friday 9 am - 5 pm, PST

www.arkon.com
 Arcadia, CA 91006 USA
 Designed in USA | Made in Taiwan and USA
 © Copyright 2020 Arkon Resources, Inc.