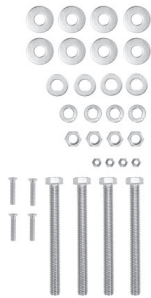


APFLBKTRC



SP4FLIFT



AP25MMVESA



APMAMP525MM

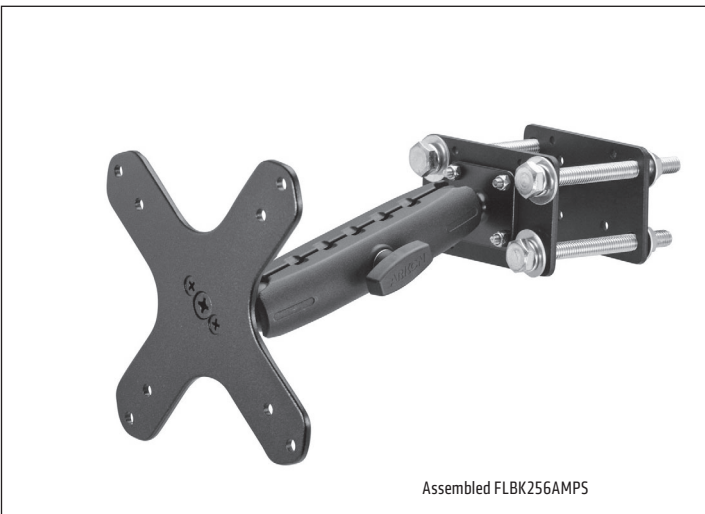
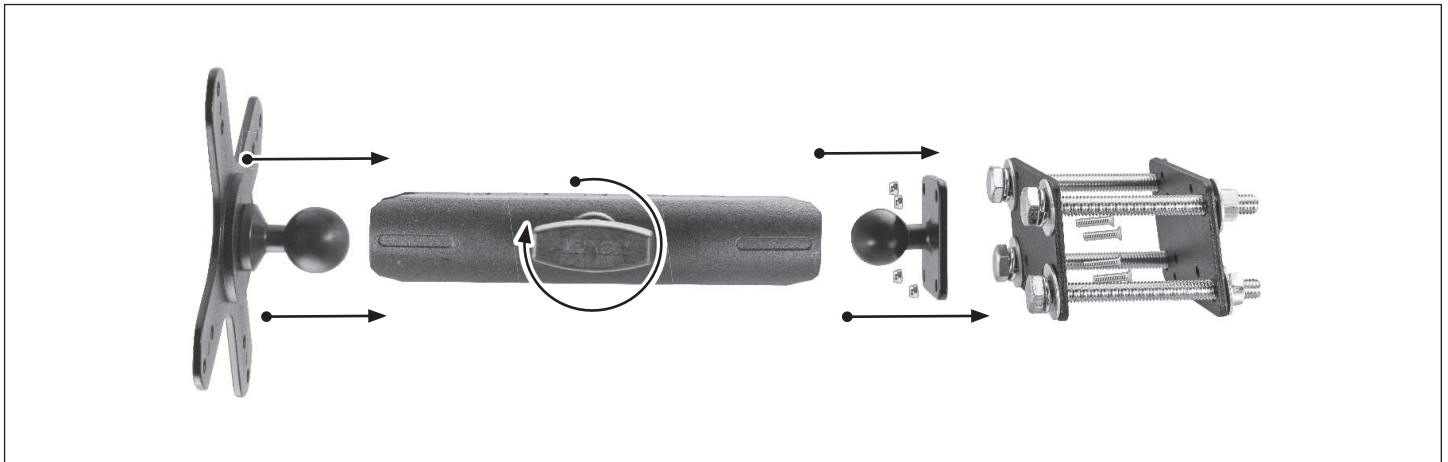
SPRM256B

Package Contents:

- (1) **AP25MMVESA** – 25mm Ball to VESA 75/100 Adapter
- (2) **APFLBKTRC** – 2.5" x 4" Black Steel Recessed Forklift Mounting Plate
- (1) **SP4FLIFT** – Hardware Pack
- (1) **SPRM256B** – 6" Robust Mount Shaft
- (1) **APMAMP525MM** – Metal AMP5 to 25mm Ball Adapter

Each steel plate weighs just over .5 pounds and measures 4" x 2.5" x 1/4" (101mm x 64mm x 6mm).

FLBK256VESA includes two steel mounting plates for placement on either side of the forklift pillar. Use the included recessed plate hardware to secure the recessed plate to the FRONT of the forklift pillar. Use the included 3/8-16x4" Tap Bolts with washers and nuts to secure the plates at each corner.



Assembled FLBK256VESA

! Safety Precautions

Use caution during installation when handling heavy metal plates to avoid injury. Arkon assumes no responsibility of liability for injury or death due to the installation or use of this mount.

ARKON MOUNTS

Consumer Hotline:
USA (800) 841-0884
INT'L (626) 254-9005
 Monday - Friday 9 am - 5 pm, PST

www.arkon.com
 Arcadia, CA 91006 USA
 Designed in USA | Made in Taiwan and USA
 © Copyright 2019 Arkon Resources, Inc.