

Package Contents:

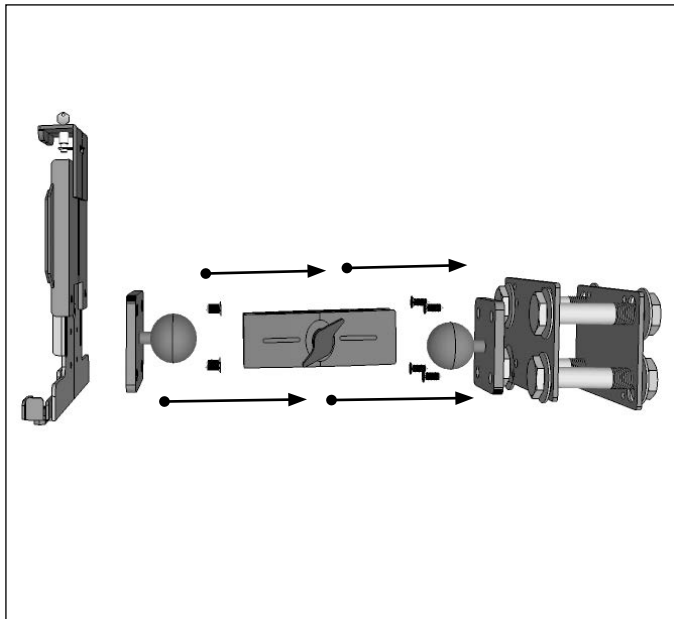
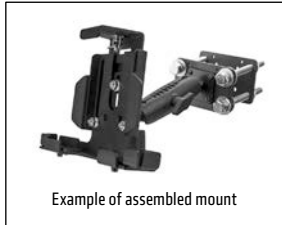
- (2) APFLBKTRC – 2.5" x 4" Black Steel Recessed Forklift Mounting Plate
- (1) SP4FLIFT – Hardware Pack
- (1) TAB004KL – Universal Locking Adjustable Tablet Holder
- (1) SPRM38MM – 38mm Metal Robust Mount Shaft
- (2) APMAMP538MM – Metal AMPS to 38mm Ball Adapter
- (1) SP-TAB4SH-KIT – Screw Pack

Optional (for converting locking tablet holder to NON-LOCKING option):

- (1) SPRMLGKNOBNL – Large Robust Shaft Knob (see page 2)

Each steel plate weighs just over .5 pounds and measures 4" x 2.5" x 1/4" (101mm x 64mm x 6mm).

FLBK38TAB4 includes two steel mounting plates for placement on either side of the forklift pillar. Use the included recessed plate hardware to secure the recessed plate to the FRONT of the forklift pillar. Use the included 3/8-16x4" Tap Bolts with washers and nuts to secure the plates at each corner.



Safety Precautions

Use caution during installation when handling heavy metal plates to avoid injury. Arkon assumes no responsibility of liability for injury or death due to the installation or use of this mount.

ARKON MOUNTS

Consumer Hotline:

USA (800) 841-0884

INT'L (626) 254-9005

Monday - Friday 9am - 5pm, PST

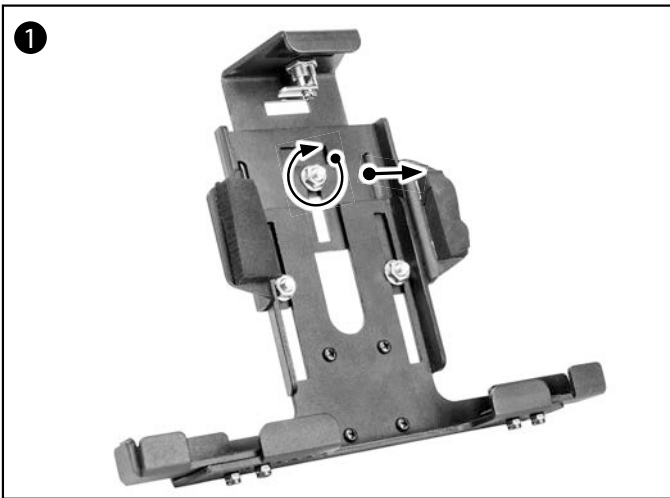
www.arkon.com

Arcadia, CA 91006 USA

Designed in USA | Made in USA

© Copyright 2020 Arkon Resources, Inc.

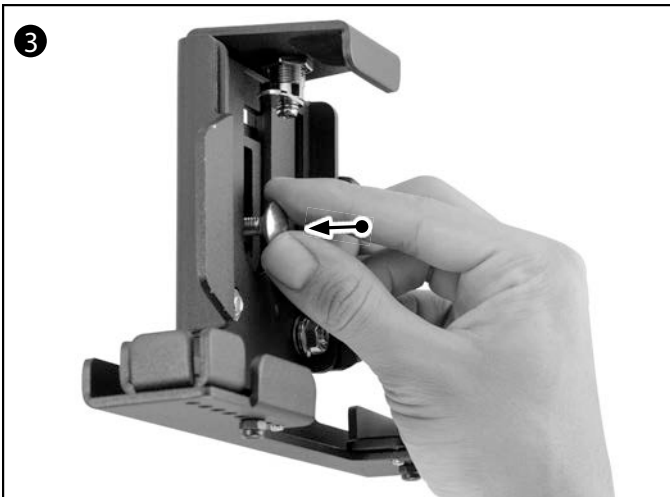
To convert the metal locking tablet holder to a NON-LOCKING option:



Remove nut from the center of the front of the holder.



Pull screw out from the back of the holder.



Re-insert screw to the front of the holder.



Attach knob to screw on the back of the holder.



Safety Precautions

Use caution during installation when handling heavy metal plates to avoid injury. Arkon assumes no responsibility of liability for injury or death due to the installation or use of this mount.

ARKON MOUNTS

Consumer Hotline:

USA (800) 841-0884

INT'L (626) 254-9005

Monday - Friday 9am - 5pm, PST

www.arkon.com

Arcadia, CA 91006 USA

Designed in USA | Made in USA

© Copyright 2020 Arkon Resources, Inc.