



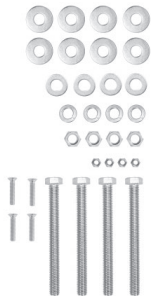
TAB005KL-B



SPRM38MM



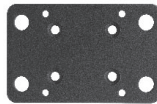
APMAMPS38MM



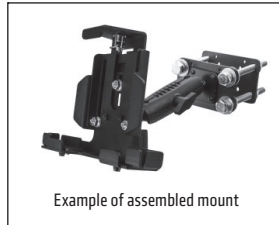
SP4FLIFT



SPTAB5KL



APFLBKTRC



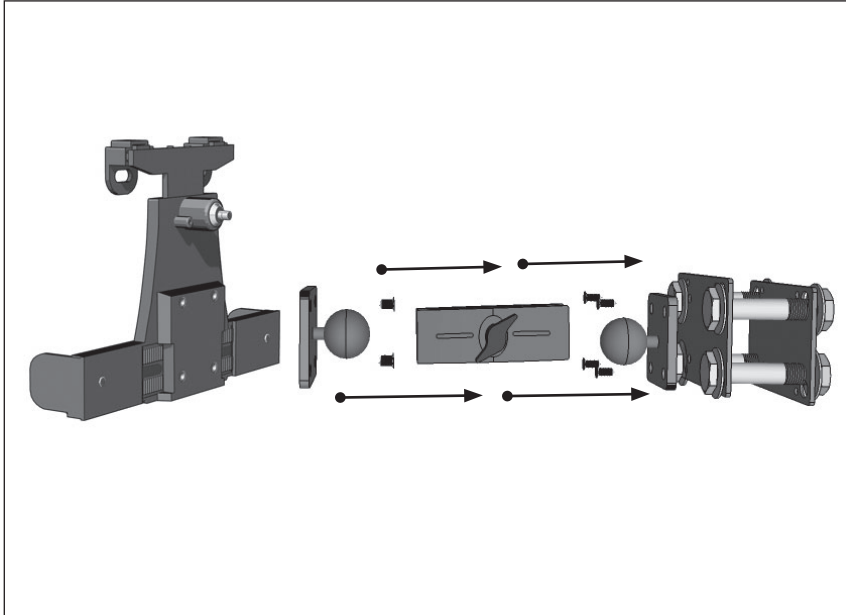
Example of assembled mount

Package Contents:

- (2) APFLBKTRC – 2.5" x 4" Black Steel Recessed Forklift Mounting Plate
- (1) SP4FLIFT – Hardware Pack
- (1) TAB005KL-B – Universal Locking Plastic Tablet Holder
- (1) SPTAB5KL – Security Kit for TAB005KL-B
- (1) SPRM38MM – 38mm Metal Robust Mount Shaft
- (2) APMAMPS38MM – Metal AMPS to 38mm Ball Adapter

Each steel plate weighs just over .5 pounds and measures 4" x 2.5" x 1/4" (101mm x 64mm x 6mm).

FLBK38TAB5 includes two steel mounting plates for placement on either side of the forklift pillar. Use the included recessed plate hardware to secure the recessed plate to the FRONT of the forklift pillar. Use the included 3/8-16x4" Tap Bolts with washers and nuts to secure the plates at each corner.



Safety Precautions

Use caution during installation when handling heavy metal plates to avoid injury. Arkon assumes no responsibility of liability for injury or death due to the installation or use of this mount.

ARKON MOUNTS

Consumer Hotline:

USA (800) 841-0884

INT'L (626) 254-9005

Monday - Friday 9am - 5pm, PST

www.arkon.com

Arcadia, CA 91006 USA

Designed in USA | Made in USA

© Copyright 2019 Arkon Resources, Inc.