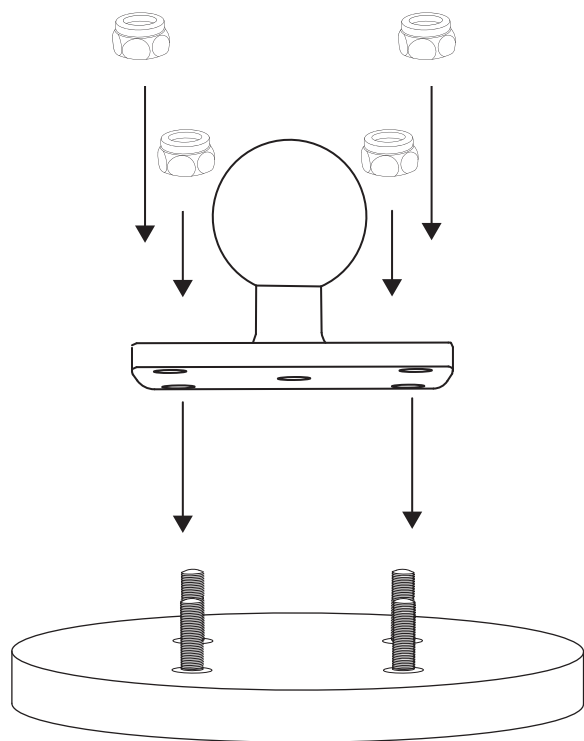


Includes:

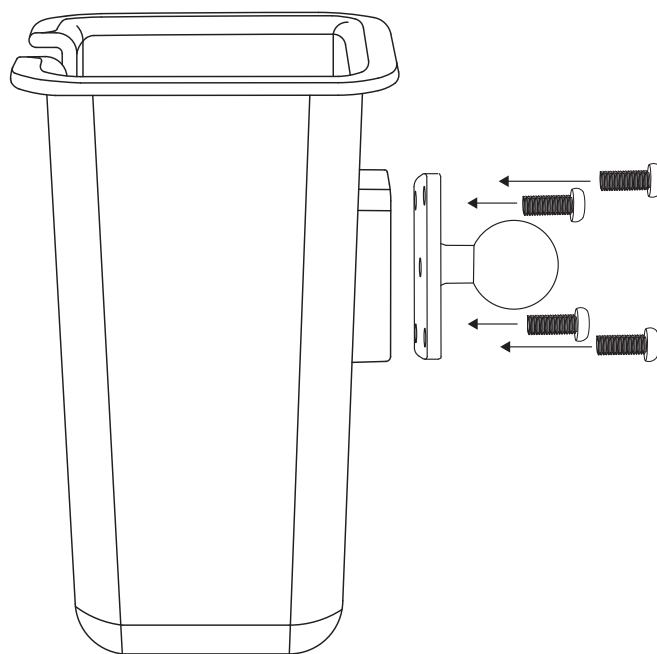
- 1 - Large Barcode Scanner Holster Holder (SPHLSTRXL)
- 4 - Hardware (M5-0.8 DIN 934 Steel Nylock Hex Nut)
- 4 - Hardware (M5 x 18mm Pan Head Philips machine screw)
- 2 - Metal 4-Hole AMPS to 38mm Ball Adapter (APMAMPS38MM)
- 1 - Robust™ Series 5-inch Mount Shaft Arm (SPRM38MM)
- 1 - 88mm Heavy-Duty Magnetic Base (SPAMPSMAG88)
- 4 - Hardware (M4-0.7 DIN 934 Zinc Finish Steel Hex Nut)

Important: Clean the application surface and make sure it is free of dirt, dust, and grease before installing the mounting hardware.

1 **Install the 38mm AMPS Adapter Ball Plate to the Magnetic Base**
 Line up the 38mm AMPS adapter ball with the magnet base. Once properly aligned, insert the nuts that came with the magnetic base's packaging and tighten them securely in place.



2 **Attach the 38mm AMPS Adapter Ball Plate to the Barcode Scanner Holster Holder**
 Place the 38mm AMPS adapter ball plate onto the back of the holster holder, aligning it carefully. Secure the adapter plate by inserting the screws that came with the holster's packaging.



WARNING
 CHOKING HAZARD - Keep out of reach from children under 8 yrs. as they can choke or suffocate on parts included with this system

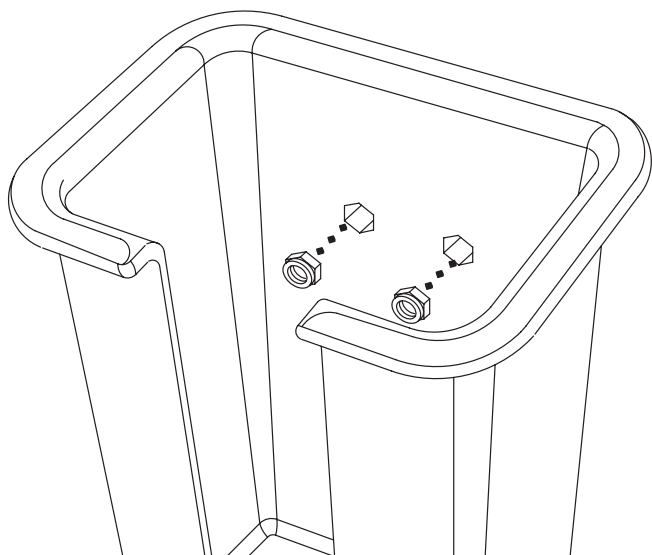
WARNING
 Arkon® is not responsible for any damages caused to your device or yourself due to the installation or use of this mount. Do not install Arkon® products near areas that interfere with operation of vehicles. Arkon® assumes no responsibility or liability for injury or death as a result of failure to install in a safe location. Arkon® is not responsible for any damages caused to vehicles, product, or people due to the installation or use of this product.



3

Installing the Nuts from Holster Packaging

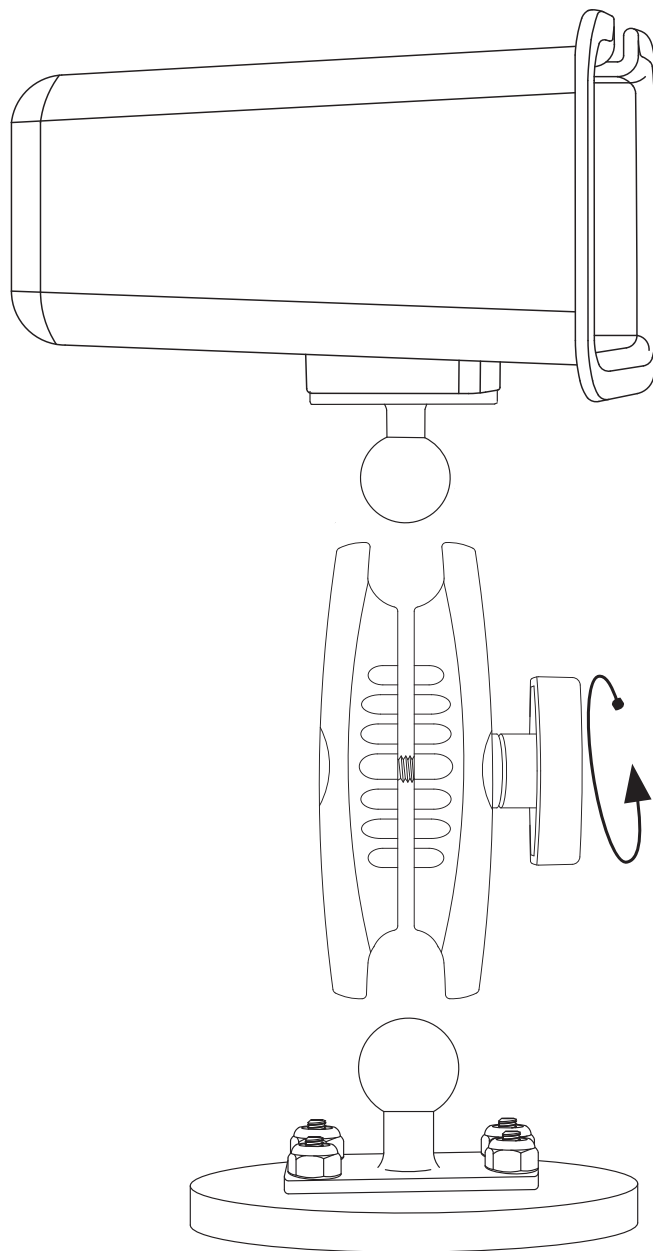
Place the nuts into the holster. Turn the screws clockwise to secure them. Finish the installation by tightening the screws with a screwdriver.



4

Assemble the Components

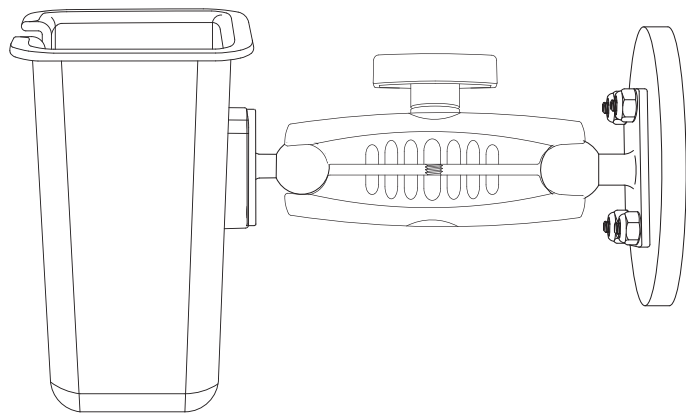
Turn the shaft arm knob in a counter-clockwise direction to create space for inserting both ball mounting plates in their respective areas. Once both plates are aligned, turn the knob clockwise to securely tighten the position.



5

Preparing to Install the Device Holster Holder Plate

To ensure a successful installation, it is important to find the best spot for mounting the holder plate. If you are installing the system in a vehicle, it is crucial to choose a location that doesn't interfere with your ability to operate the vehicle safely. Be cautious during the installation process.



WARNING

CHOKING HAZARD - Keep out of reach from children under 8 yrs. as they can choke or suffocate on parts included with this system

WARNING

Arkon® is not responsible for any damages caused to your device or yourself due to the installation or use of this mount. Do not install Arkon® products near areas that interfere with operation of vehicles. Arkon® assumes no responsibility or liability for injury or death as a result of failure to install in a safe location. Arkon® is not responsible for any damages caused to vehicles, product, or people due to the installation or use of this product.

