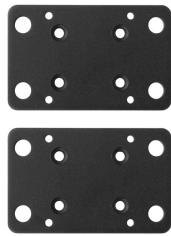




TAB001-AMPS



APFLBKTRC



SP4FLIFT

Includes:

- 1 - Slim-Grip® Tablet Holder Kit (TAB001-AMPS)
- 1 - Robust™ Series Standard Shaft (SP-RM250)
- 2 - 2.5" x 4" Black Steel Mounting Plate (APFLBKTRC)
- 1 - Hardware Pack (SP4FLIFT)
- 2 - Metal 4-Hole AMPS to 25mm Ball Adapter (APMAMPS25MM)
- 1 - Screw cap pack (5) for 3/8 bolts (SPSCPBOLT)
- 1 - Screw pack (SP-12M-4M7)

FLBKTAB01 comes with two steel mounting plates that can be placed on either side of the forklift pillar. To secure the recessed plate to the front of the forklift pillar, use the included recessed plate hardware. At each corner, use the included 3/8-16x4" bolts with washers and nuts to secure the plates.

Each APFLBKTRC steel plate measures 4" x 2.5" x 1/4" (101mm x 64mm x 6mm) and weighs just over 0.5 pounds.



APMAMPS25MM



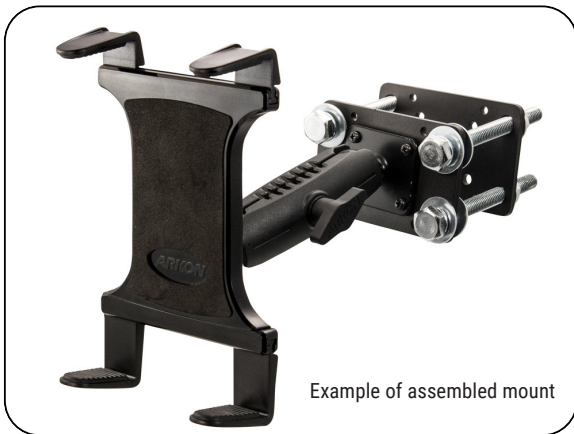
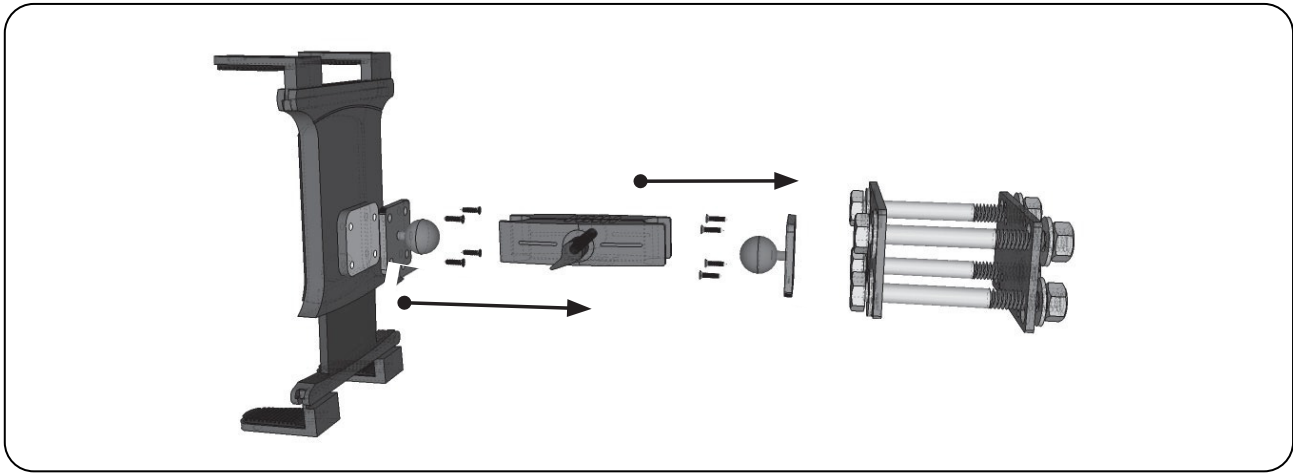
SP-RM250



SPSCPBOLT



SP-12M-4M7



WARNING

CHOKING HAZARD - Keep out of reach from children under 8 yrs. as they can choke or suffocate on parts included with this system

WARNING

Arkon® is not responsible for any damages caused to your device or yourself due to the installation or use of this mount. Do not install Arkon® products near areas that interfere with operation of vehicles. Arkon® assumes no responsibility or liability for injury or death as a result of failure to install in a safe location. Arkon® is not responsible for any damages caused to vehicles, product, or people due to the installation or use of this product.

