

APFLIFT



SP10FLIFT



TAB004KL



APMAMPS38MM



SPRMLGKNOBNL



SPRM3885

Package Contents:

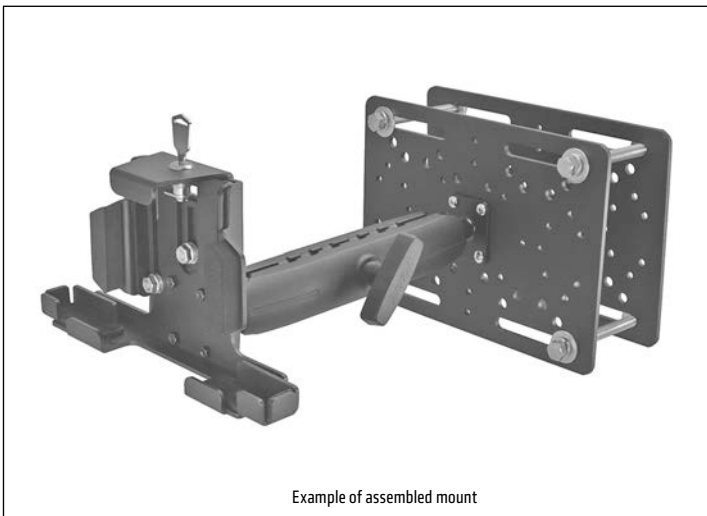
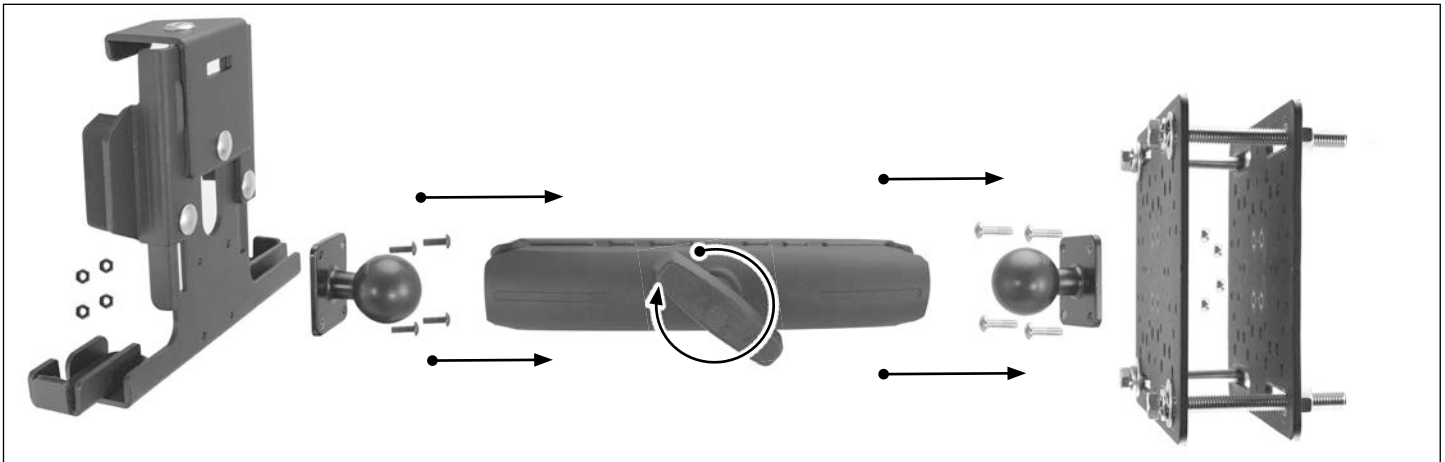
- (1) TAB004KL – Universal Locking Adjustable Metal Tablet Holder with Keys
- (1) SPRM3885 – 8.5" 38mm Robust Mount Shaft
- (2) APFLIFT – 7"x10" Black Steel Forklift Mounting Plate
- (1) SP10FLIFT – Hardware Pack
- (2) APMAMPS38MM – Metal AMPS to 38mm Ball Adapter

Optional (for converting locking tablet holder to NON-LOCKING option):

- (1) SPRMLGKNOBNL – Large Robust Shaft Knob (see page 2)

FLRM3885TAB4 includes two metal mounting plates for placement on either side of the forklift guard. Use the included 3/8-16 x 4" Tap Bolts with washers and nuts to secure the plates at each corner.

Each APFLIFT steel plate weighs just over 3 pounds and measures 10" x 7" x 1/8". Multiple size holes (4.9mm, 5.7mm, and 8.5mm) as well as hole patterns are pre-drilled into the plate, including 4-Hole AMPS, VESA 75, VESA 100, and Gamber-Johnson 2" x 4.09" for mounting multiple types of devices.



Example of assembled mount



Device not included

⚠ Safety Precautions

Use caution during installation when handling heavy metal plates to avoid injury. Arkon assumes no responsibility of liability for injury or death due to the installation or use of this mount.

ARKON MOUNTS

Consumer Hotline:

USA (800) 841-0884

INT'L (626) 254-9005

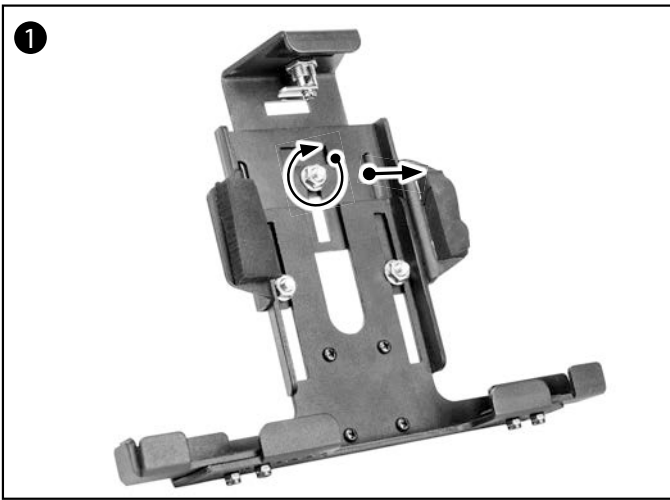
Monday - Friday 9 am - 5 pm, PST

www.arkon.com

Arcadia, CA 91006 USA

Designed in USA | Made in Taiwan and USA

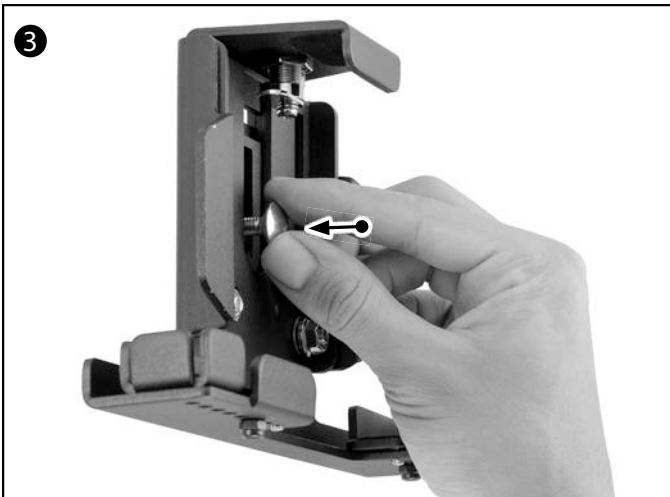
© Copyright 2020 Arkon Resources, Inc.

To convert the metal locking tablet holder to a NON-LOCKING option:

Remove nut from the center of the front of the holder.



Pull screw out from the back of the holder.



Re-insert screw to the front of the holder.



Attach knob to screw on the back of the holder.

**Safety Precautions**

Use caution during installation when handling heavy metal plates to avoid injury. Arkon assumes no responsibility of liability for injury or death due to the installation or use of this mount.

ARKON MOUNTS

Consumer Hotline:

USA (800) 841-0884

INT'L (626) 254-9005

Monday - Friday 9 am - 5 pm, PST

www.arkon.com

Arcadia, CA 91006 USA

Designed in USA | Made in Taiwan and USA

© Copyright 2020 Arkon Resources, Inc.