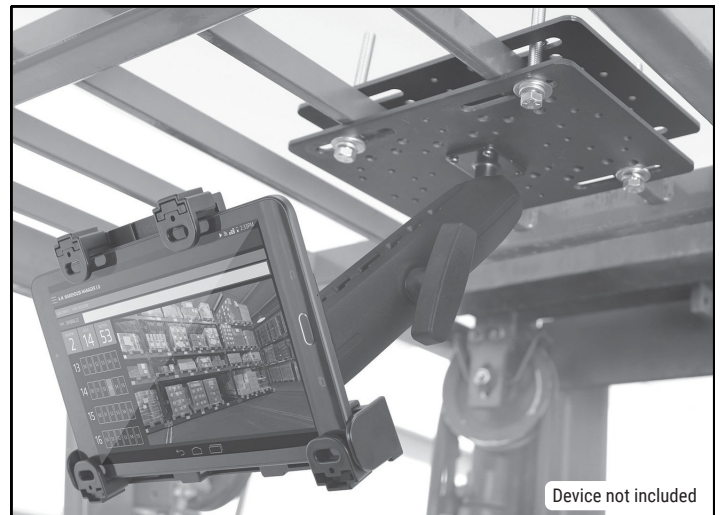
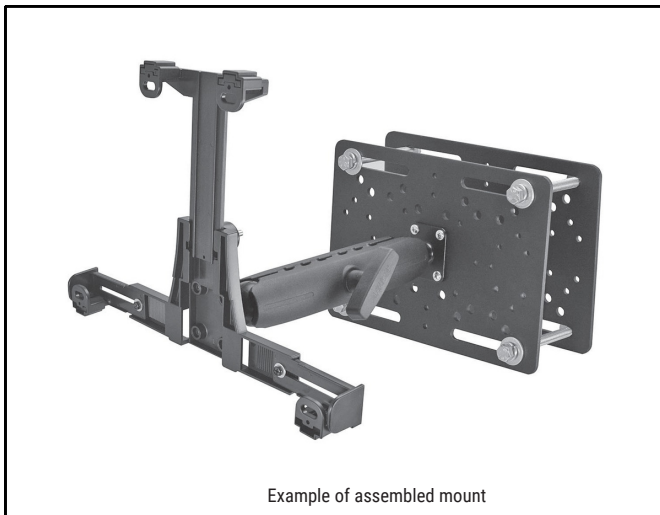
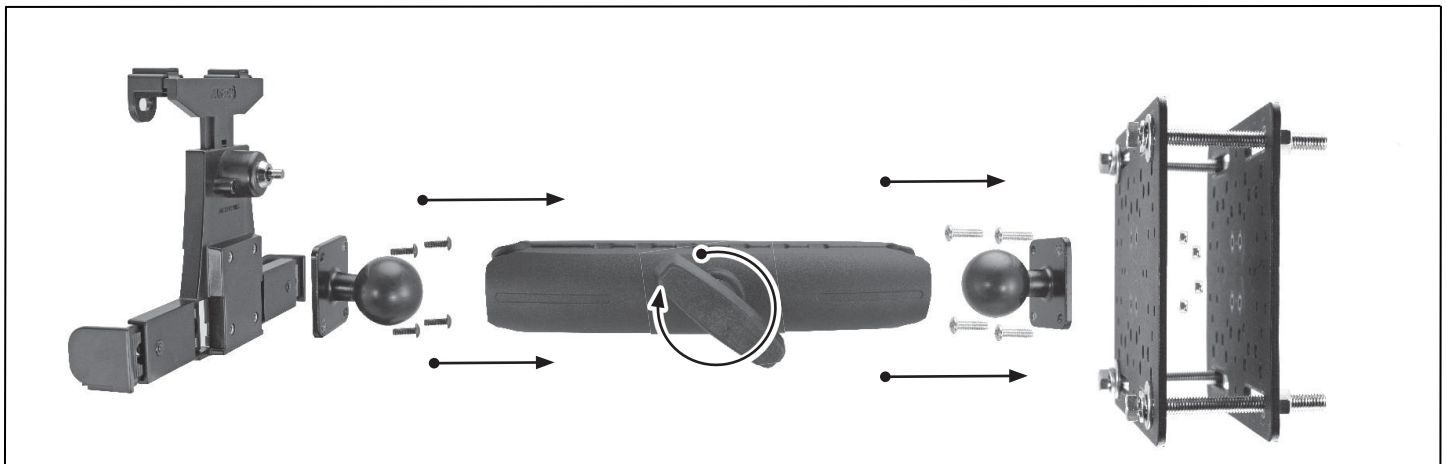


Packaging Contents:

- (1) Universal Locking Tablet Holder with Keys (TAB005KL-B)
- (1) 8.5" 38mm Robust Mount Shaft (SPRM3885)
- (2) 7"x10" Black Steel Forklift Mounting Plate (APFLIFT)
- (1) Hardware Pack (SP10FLIFT)
- (2) Metal AMPS to 38mm Ball Adapter (APMAMPS38MM)
- (1) Screw cap pack(5) for 3/8 bolts (SPSCPOLT)

FLRM3885TAB5 includes two metal mounting plates for placement on either side of the forklift guard. Use the included 3/8-16 x 4" Tap Bolts with washers and nuts to secure the plates at each corner.

Each APFLIFT steel plate weighs just over 3 pounds and measures 10" x 7" x 1/8". Multiple size holes (4.9mm, 5.7mm, and 8.5mm) as well as hole patterns are pre-drilled into the plate, including 4-Hole AMPS, VESA 75, VESA 100, and Gamber-Johnson 2" x 4.09" for mounting multiple types of devices.



WARNING
CHOKING HAZARD - Keep out of reach from children under 8 yrs. as they can choke or suffocate on parts included with this system

WARNING
Arkon® is not responsible for any damages caused to your device or yourself due to the installation or use of this mount. Do not install Arkon® products near areas that interfere with operation of vehicles. Arkon® assumes no responsibility or liability for injury or death as a result of failure to install in a safe location. Arkon® is not responsible for any damages caused to vehicles, product, or people due to the installation or use of this product.

