

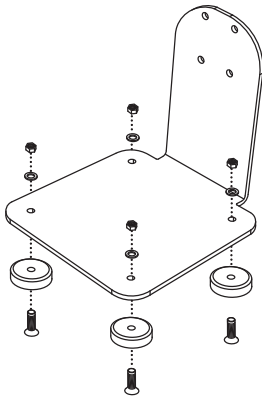
## Includes:

- 1 – Manual
- 5 – Washers (M5 x 10mm x 0.5mm Stainless Steel Round Flat)
- 5 – Nylon Nut (M5-0.8 DIN 985 A2 Stainless Steel)
- 5 – Screws (M5-0.8 x 16mm DIN Phillips Flat Head A2 Stainless Steel Machine)
- 1 – Mounting Bracket (FLIFT03)
- 4 – Base Magnets (SPMAG35MM)
- 1 – 38mm Double Ball Mount (RM38352XMAMPS)
- 4 – Screws (Pan Head Phillips M4 x 0.7mm Thread, 14mm Long)
- 4 – Nylon-Insert Locknut (M4 x 0.7mm Thread, 5mm High)
- 1 – Tablet Holder with Hardware (TAB005KL)
- 4 – Screws (M4 x 10mm)
- 2 – Locking Keys
- 1 – Wrench Key (2.38mm hex)
- 2 – Foam Padding

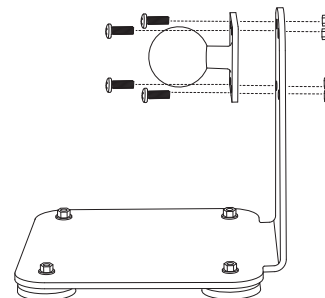
*Note: Different types of screws are included with this system. Please consider keeping components sealed until needed during the installation process to avoid confusion*

*Important: Clean the application surface and make sure it is free of dirt, dust, and grease before installing the mounting hardware.*

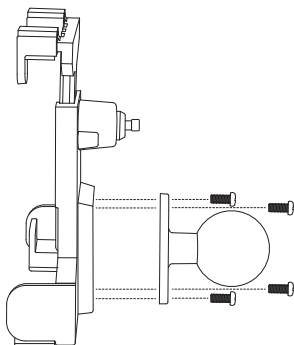
- 1 Assembling the magnetic plate kit**  
Remove all components from the packaging and assemble the mounting plate with the base magnets as seen in the diagram below.



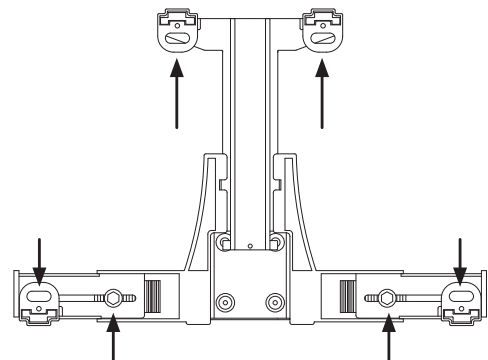
- 2 Installing the 38mm ball mount to the base plate**  
Locate the packaging with the double ball adapters and shaft arm. Locate the packaging with the four mounting screws and nuts. Take out the double ball mount and put one of the ball adapters on top of the mounting plate's four screw insertion holes. Use the provided screws and nuts to attach it, following the diagram.



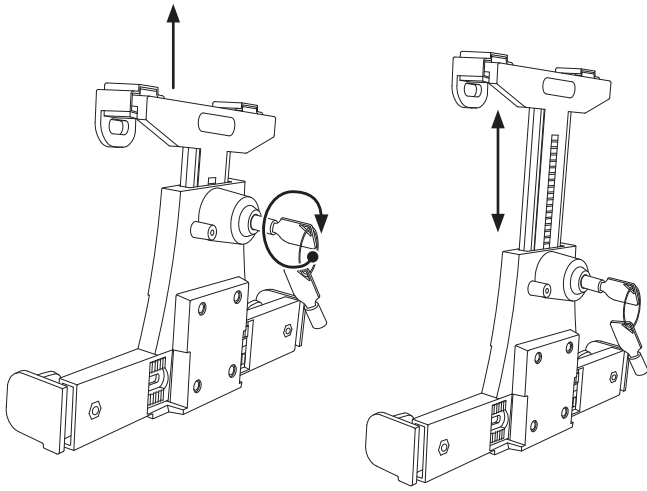
- 3 Installing the Locking Tablet holder to the shaft arm**  
Locate the packaging that contains the locking tablet holder, locking keys, and installation hardware. Locate the second 38mm ball adapter and allen key with screws. After that, install the four mounting screws by putting them through the ball adapter plate and into the tablet holder.



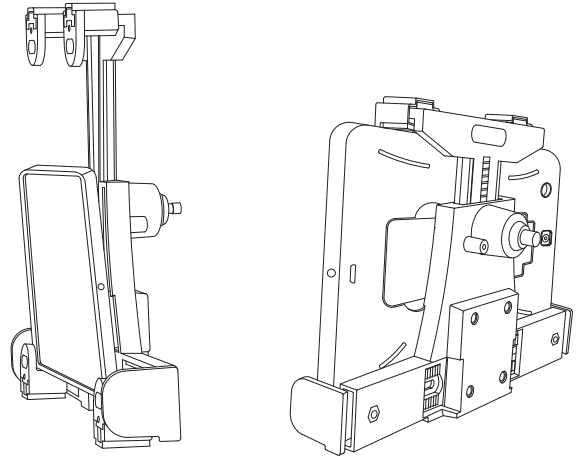
- 4 Adjusting the length of the tablet holder**  
Use a Phillips screwdriver to adjust all screw locations on the tablet holder. Loosen the screws to expand the width and depth of the tablet holder.



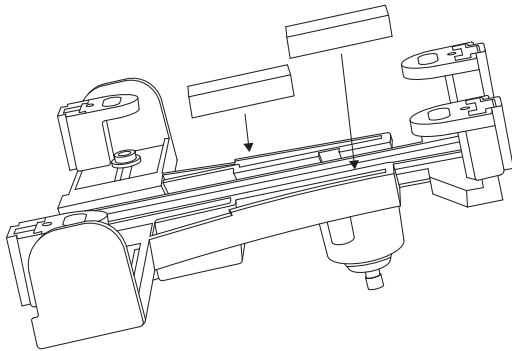
- 5 Installing the tablet to the holder**  
Apply the locking keys to unlock the height adjustment of the tablet holder. Pull up on the top arm to expand the holder.



- 6 Locking the tablet into the holder**  
Firstly, place the tablet in the holder. Next, adjust the top of the holder to ensure that the tablet fits properly. Finally, press the button located at the back of the holder to lock the tablet securely in place.



- 7 Optional - Installing the foam padding if not using a tablet case**  
Locate the packaging that includes the foam padding and apply it at the center of the tablet holder.



**WARNING**

CHOKING HAZARD - Keep out of reach from children under 8 yrs. as they can choke or suffocate on parts included with this system

**WARNING**

Arkon® is not responsible for any damages caused to your device or yourself due to the installation or use of this mount. Do not install Arkon® products near areas that interfere with operation of vehicles. Arkon® assumes no responsibility or liability for injury or death as a result of failure to install in a safe location. Arkon® is not responsible for any damages caused to vehicles, product, or people due to the installation or use of this product.

