



TAB004KL-B



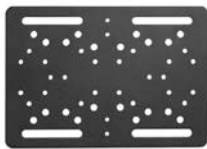
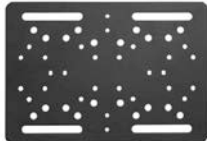
HD006AMPS



SP-12M-4M7



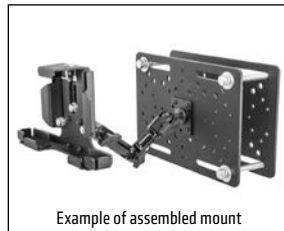
SPRMLGKNOBNL



APFLIFT



SP10FLIFT



Example of assembled mount

Package Contents:

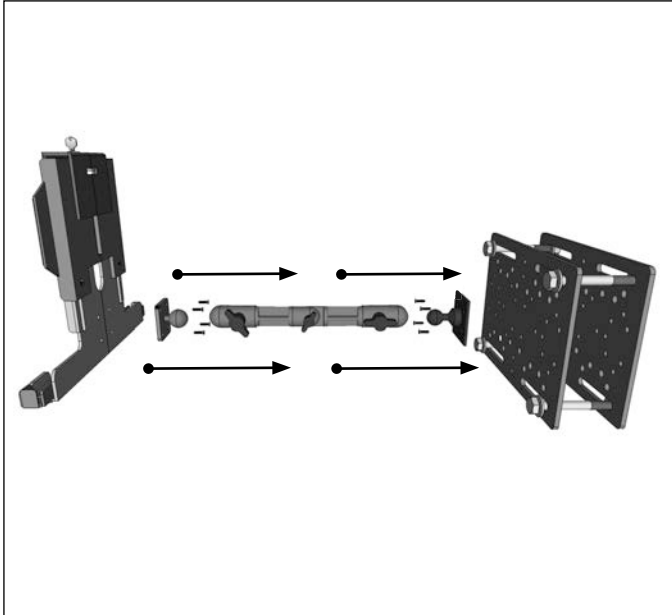
- (2) APFLIFT – 7"x10" Black Steel Forklift Mounting Plate
- (1) SP10FLIFT – Hardware Pack
- (1) TAB004KL-B – Universal Locking Tablet Holder
- (1) HD006AMPS – 9" Heavy-Duty Multi-Angle AMPS Pedestal
- (1) SP-12M-4M7 – Screw Pack

Optional (for converting locking tablet holder to NON-LOCKING option):

- (1) SPRMLGKNOBNL – Large Robust Shaft Knob (see page 2)

Each steel plate weighs just over 3 pounds and measures 10" x 7" x 1/8". Multiple size holes (4.9mm, 5.7mm, and 8.5mm) as well as hole patterns are pre-drilled into the plate, including 4-Hole AMPS, VESA 75, VESA 100, and Gamber-Johnson 2" x 4.09" for mounting multiple types of devices.

FLTAB406 includes two metal mounting plates for placement on either side of the forklift guard. Use the included 3/8-16 x 4" Tap Bolts with washers and nuts to secure the plates at each corner.



⚠ Safety Precautions

Use caution during installation when handling heavy metal plates to avoid injury. Arkon assumes no responsibility of liability for injury or death due to the installation or use of this mount.

ARKON MOUNTS

Consumer Hotline:

USA (800) 841-0884

INT'L (626) 254-9005

Monday - Friday 9 am - 5 pm, PST

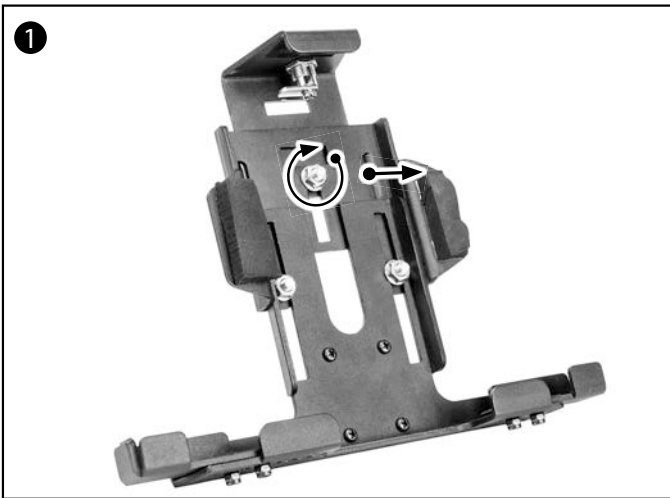
www.arkon.com

Arcadia, CA 91006 USA

Designed in USA | Made in Taiwan and USA

© Copyright 2020 Arkon Resources, Inc.

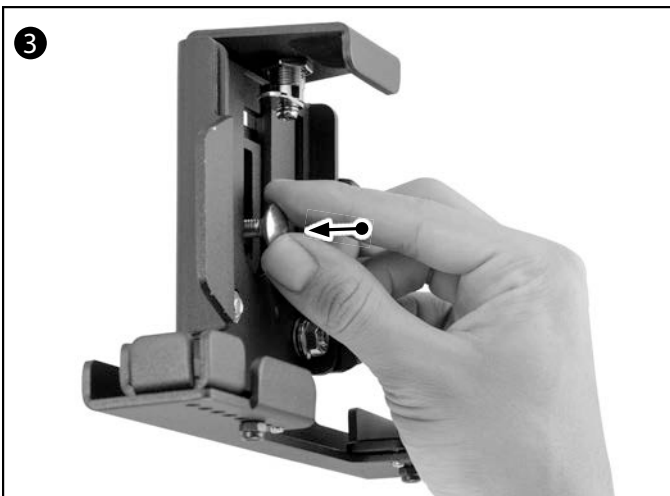
To convert the metal locking tablet holder to a NON-LOCKING option:



Remove nut from the center of the front of the holder.



Pull screw out from the back of the holder.



Re-insert screw to the front of the holder.



Attach knob to screw on the back of the holder.

⚠ Safety Precautions
 Use caution during installation when handling heavy metal plates to avoid injury. Arkon assumes no responsibility of liability for injury or death due to the installation or use of this mount.

ARKON MOUNTS
 Consumer Hotline:
 USA (800) 841-0884
 INT'L (626) 254-9005
 Monday - Friday 9 am - 5 pm, PST

www.arkon.com
 Arcadia, CA 91006 USA
 Designed in USA | Made in Taiwan and USA
 © Copyright 2020 Arkon Resources, Inc.