



GN014



SP-SB-1T-B



SP-SB-RING

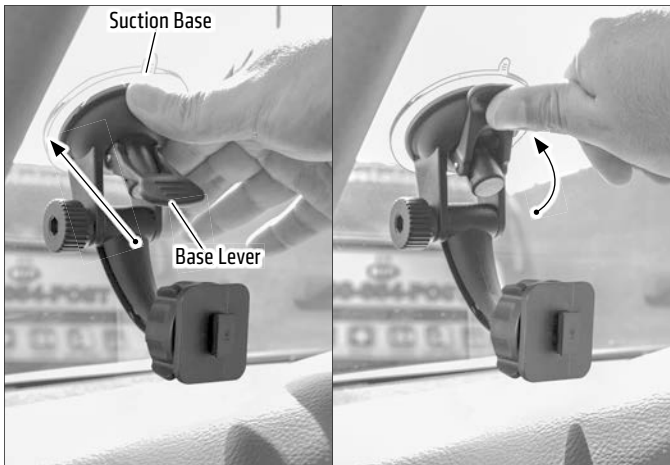
Package Contents:

- (1) GN014 – PVC Windshield Mount Pedestal
- (1) SP-SB-1T-B – Female 17mm Ball Pattern to Single T-Tab Adapter
- (1) SP-SB-RING – Tightening Ring

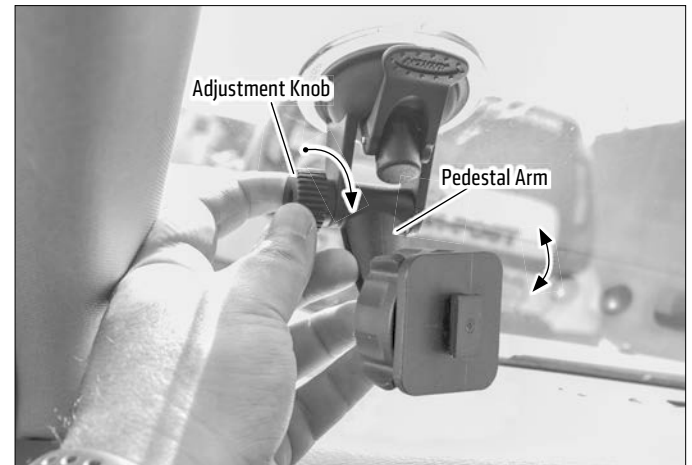
Caution: Do not place mount in or near an air bag deployment zone or where it will obstruct view of road.

This mount is meant for **windshield use only**.

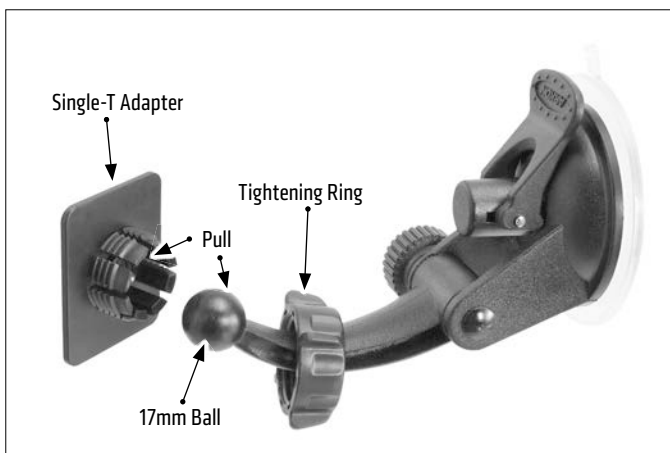
- 1 Find a safe location on the interior of the vehicle's windshield for mounting. Firmly push the suction base against the windshield and flip the base lever toward the base of the pedestal to engage the suction.



- 2 Adjust the angle of the pedestal arm by loosening the adjustment knob at the base. Tighten knob to secure.



OPTIONAL: To make the mount 17mm ball compatible, unscrew the tightening ring then pull the Single-T adapter off of the mount's 17mm ball.

**Safety Precautions**

Arkon is not responsible for any damages caused to you, your passengers, your vehicle, or your device due to the installation or use of this mount.

ARKON MOUNTS

Consumer Hotline:

USA (800) 841-0884

INT'L (626) 254-9005

Monday - Friday 9 am - 5 pm, PST

www.arkon.com

Arcadia, CA 91006 USA

Designed in USA | Made in Taiwan and USA

© Copyright 2021 Arkon Resources, Inc.