



GN034-SBH

Package Contents:

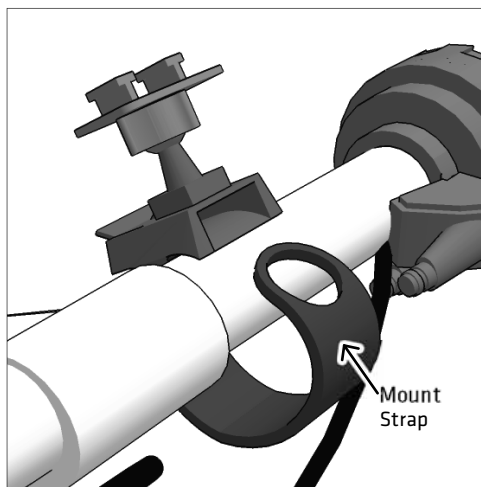
(1) GN034-SBH - Quick-Release Strap Mount

Device Compatibility:

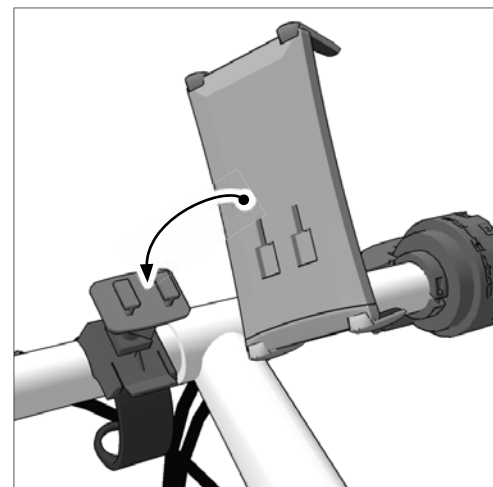
Compatible with any Arkon or third-party Dual-T Holder or adapter.

Fits on handlebars 15 mm-50 mm in diameter.

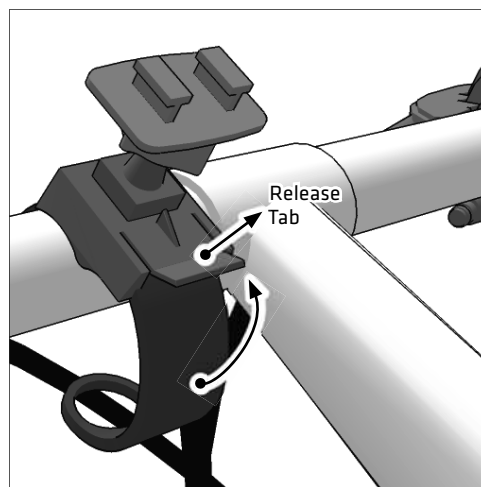
- 1** Place the mount on handlebar. Wrap strap around handlebar and insert through slot on mount. Pull tightly to secure.



- 2** Attach any Arkon Dual-T Holder to the Dual-T head on the mount (not included).



- 3** Remove mount by pulling up release tab and pushing strap back through slot.



! **Safety Precautions**

Arkon is not responsible for any damages caused to your vehicle, your device, or yourself due to the installation or use of this mount.

ARKON
RESOURCES INC.

The Mobile Mounting Specialists™

Consumer Hotline:

USA (800) 841-0884

INT'L (626) 254-9005

Monday - Friday 9 am - 5 pm, PST

www.arkon.com

Arcadia, CA 91006 USA

Designed in USA | Made in China

© Copyright 2014 Arkon Resources, Inc.