



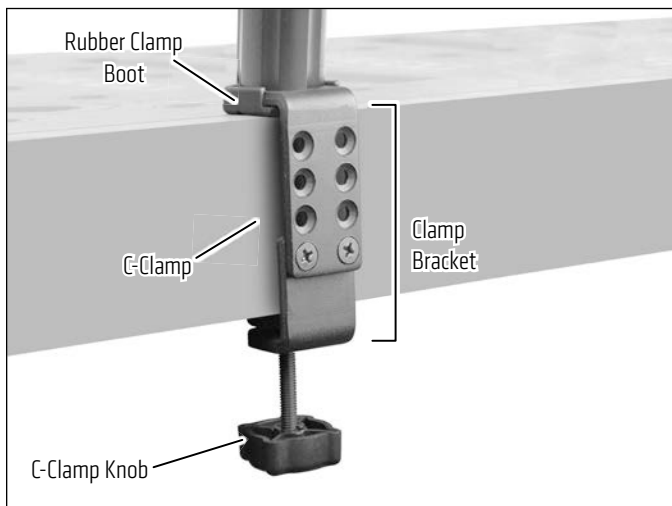
GN086-SBH

Package Contents:

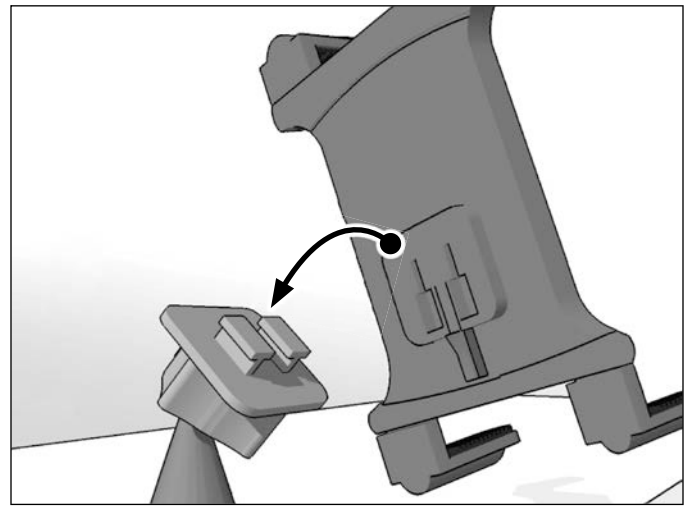
GN086-SBH - Heavy-Duty Adjustable C-Clamp Mounting Pedestal

NOTE: Clamp opening: 0" - 3" (0mm - 76mm)

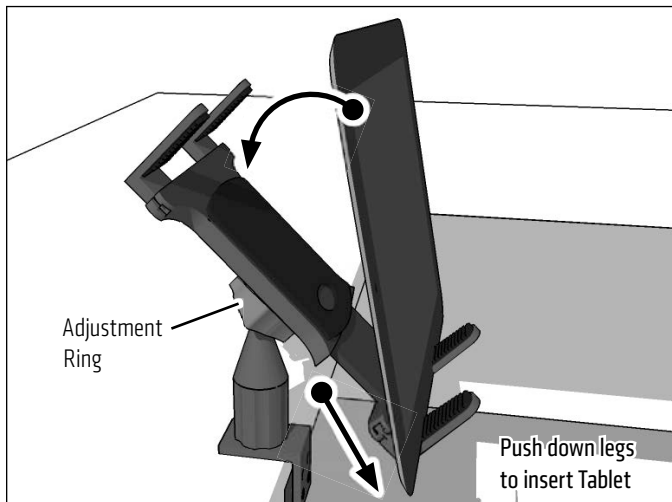
- 1** Attach pedestal clamp by turning the C-clamp knob; adjust the clamp bracket position if necessary with a Phillips screwdriver.



- 2** Attach any Arkon Dual T-Slot holder to the Dual T-Tab head on the mount (holders sold separately).



- 3** Insert tablet by pushing down on lower legs of the tablet holder.



⚠ Safety Precautions

Do not install Arkon products over an air bag cover or within the air bag deployment zone. Arkon Resources, Inc. assumes no responsibility of liability for injury or death as a result of car crashes and / or air bag deployment.

Arkon is not responsible for any damages caused to your vehicle, your device, or yourself due to the installation or use of this mount.

ARKON MOUNTS

Consumer Hotline:

USA (800) 841-0884

INT'L (626) 254-9005

Monday - Friday 9 am - 5 pm, PST

www.arkon.com

Arcadia, CA 91006 USA

Designed in USA | Made in China

© Copyright 2021 Arkon Resources, Inc.