

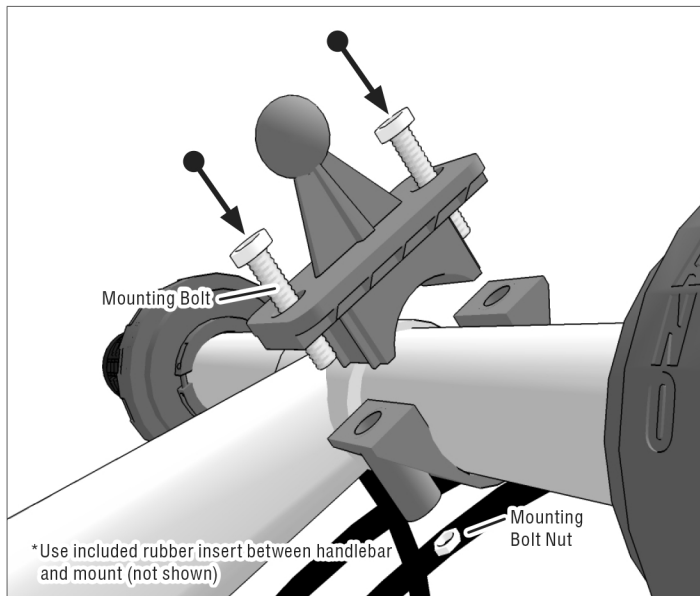
**Package Contents:**



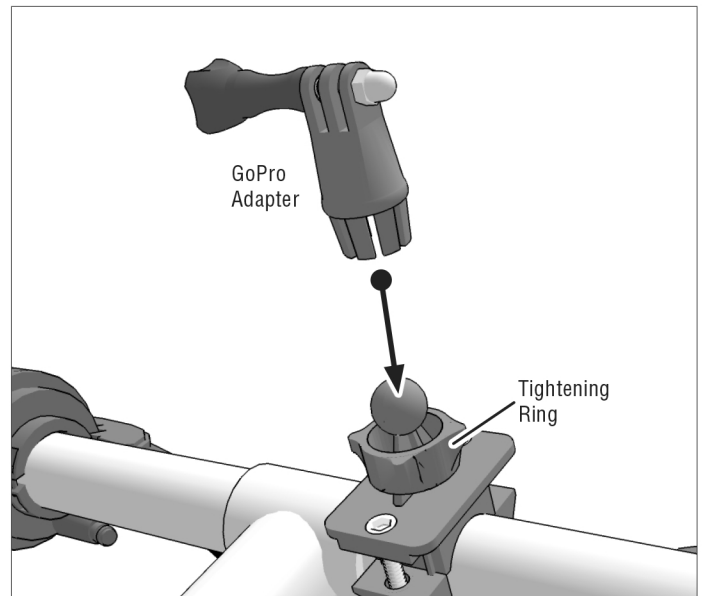
**GP132**  
Bicycle & Motorcycle  
Handlebar Mount for  
GoPro®  
(device not included)

GoPro® is a registered trademark of Woodman Labs, Inc. in the United States and other countries. Arkon Resources, Inc is not affiliated with Woodman Labs.

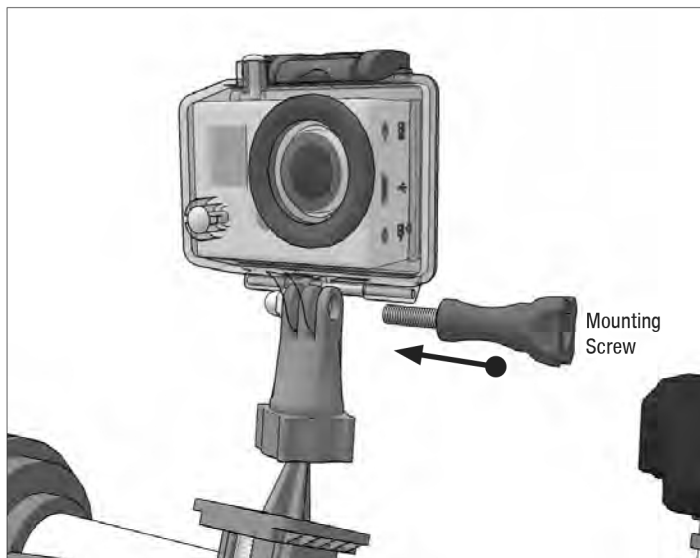
**1** Attach the mount to handlebar with a Phillips screwdriver.



**2** Put tightening ring over ball head, then snap GoPro adapter onto the ball head. Connect both, tighten as necessary.



**3** Remove screw from the 3-prong bracket and insert GoPro camera and case, then re-insert screw. Tighten as needed.



**Safety Precautions**

Arkon is not responsible for any damages caused to your vehicle, your device, or yourself due to the installation or use of this mount.