



Package Contents:

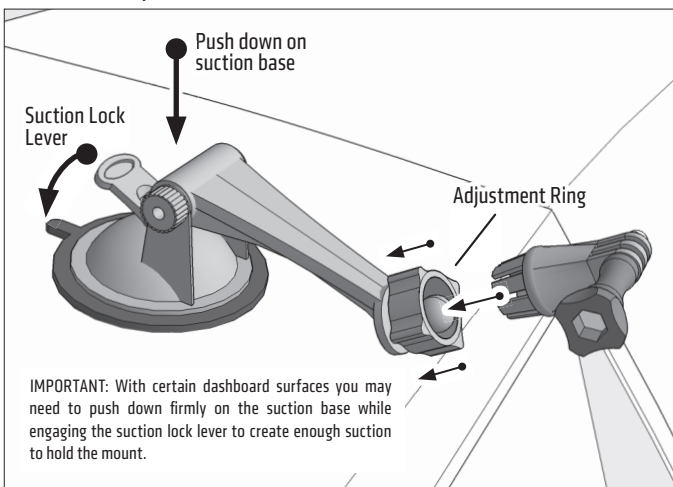
- (1) GN079 – Multi-Surface Sticky Suction Mounting Pedestal
- (1) SP-SB-GPLAT - 17mm Ball Adapter for GoPro® HERO®
- (1) SP-SB-RING - Swivel Adjustment Ring
- (1) AP013 – Adhesive Mounting Disk

DASHBOARD MOUNTING WARNING: THE STICKY SUCTION PEDESTAL SHOULD NOT BE USED ON SOME TYPES OF DASHBOARDS. IT MAY LEAVE A PERMANENT INDENTATION ON DASHBOARD SURFACES MADE OF SOFT VINYL, LEATHER, OR SIMILAR MATERIALS. TO PREVENT PERMANENT INDENTATION MARKS, USE THE INCLUDED ADHESIVE MOUNTING DISK WHEN MOUNTING ON SOFT DASHBOARD SURFACES.

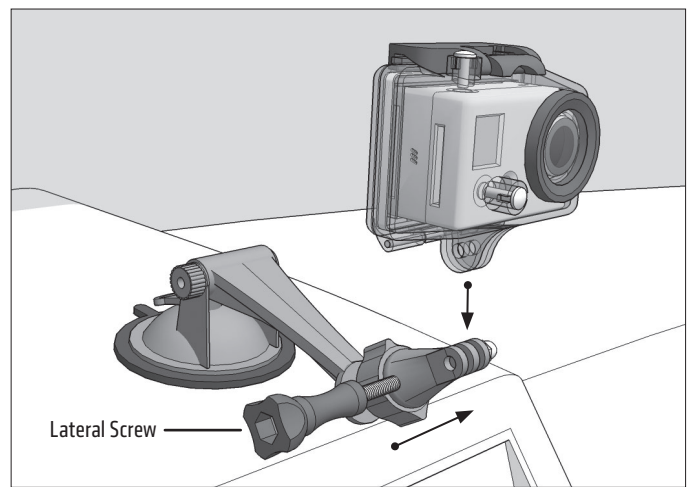
GoPro® and HERO® are trademarks or registered trademarks of Woodman Labs, Inc. in the United States and other countries. Arkon Resources, Inc. is not affiliated with Woodman Labs.

*If the sticky suction base becomes dirty or loses stickiness, rinse under warm water with mild liquid soap and let air dry.

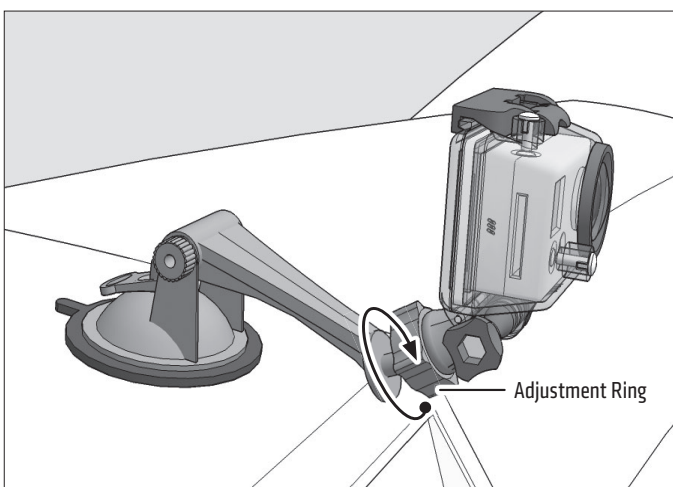
- 1** Attach pedestal to dash or windshield, engage suction lock. Place adjustment ring over the pedestal ball and snap on the GoPro HERO adapter.



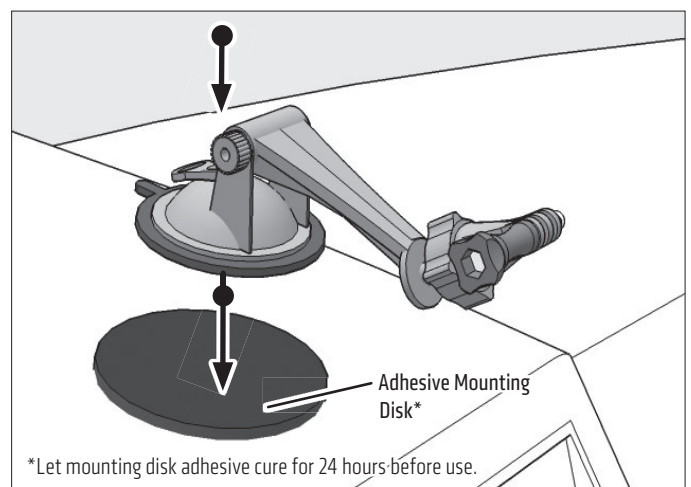
- 2** Unscrew lateral screw, then insert GoPro camera. Tighten lateral screw to secure.



- 3** Loosen adjustment ring to adjust position. Retighten to set.



OPTIONAL: For use on soft vinyl or leather dashboards, use included adhesive mounting disk*.



! Safety Precautions

Do not install Arkon products over an airbag cover or within the airbag deployment zone. Arkon Resources, Inc. assumes no responsibility of liability for injury or death as a result of car crashes and / or airbag deployment.

Arkon is not responsible for any damages caused to your vehicle, your device, or yourself due to the installation or use of this mount.

ARKON MOUNTS

Consumer Hotline:

USA (800) 841-0884

INT'L (626) 254-9005

Monday - Friday 9am - 5pm, PST

www.arkon.com

Arcadia, CA 91006 USA

Designed in USA | Made in China

© Copyright 2019 Arkon Resources, Inc.