


HD001  
22" Heavy Duty  
Aluminum Floor Mount



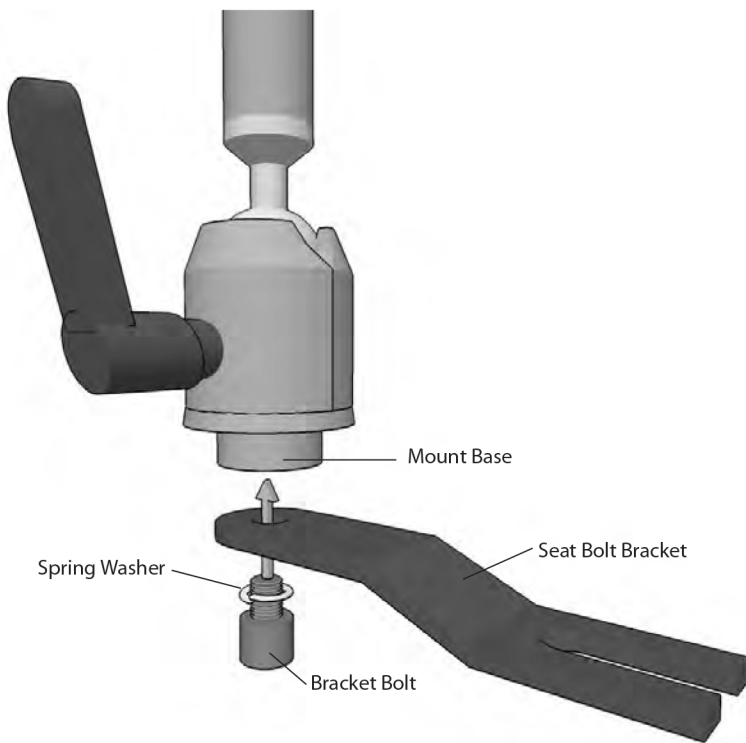
**Package Contents:**

- (1) HD001 - 22" heavy duty aluminum floor mount
- Includes: (3) Seat Bolt Brackets, (1) Bracket Bolt,
- (1) Spring Washer (1) Hex key

 Do not place mount in or near an air bag deployment zone or where it will obstruct view of the road.

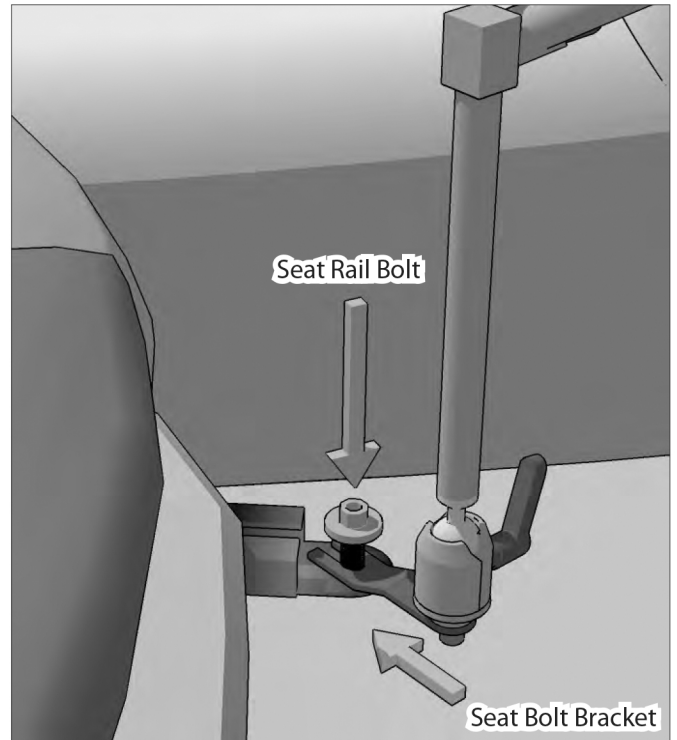
**1 Attach Seat Bolt Bracket to Mount**

Attach the appropriate seat bolt bracket to the mount with the included bracket bolt and hex key. Be sure to position the spring washer between the bolt and bracket as shown.



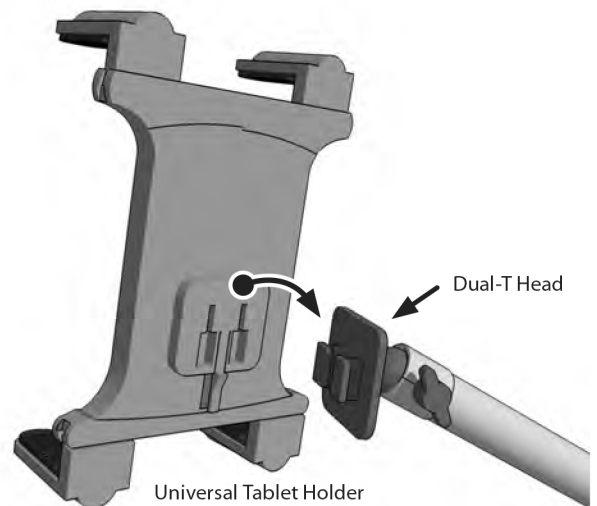
**2 Attach Mount to Seat Bolt**

With a socket wrench, loosen the passenger seat rail bolt, insert the seat rail bolt bracket, and retighten the seat rail bolt.



**3 Attach the Holder**

Attach a holder to the mount by inserting the Dual-T tabs into the holder and sliding the holder down to lock.



 **Safety Precautions**

Do not install Arkon products over an air bag cover or within the air bag deployment zone. Arkon Resources, Inc. assumes no responsibility of liability for injury or death as a result of car crashes and/or air bag deployment.

Arkon is not responsible for any damages caused to your car, your device, or yourself due to the installation or use of this pedestal mount.

**ARKON  
RESOURCES INC.**

Consumer Hotline:  
**USA** (800) 841-0884  
**INT'L** (626) 254-9005  
 Monday - Friday 9am - 5pm, PST  
[www.arkon.com](http://www.arkon.com)  
 Arcadia, CA 91006 USA

TEL : (02) 839-5701  
 FAX : (02) 830-5703  
 Made in China

© Copyright 2022 Arkon Resources, Inc.