



**HD011**  
Clamp Pedestal with  
Telescoping Pole

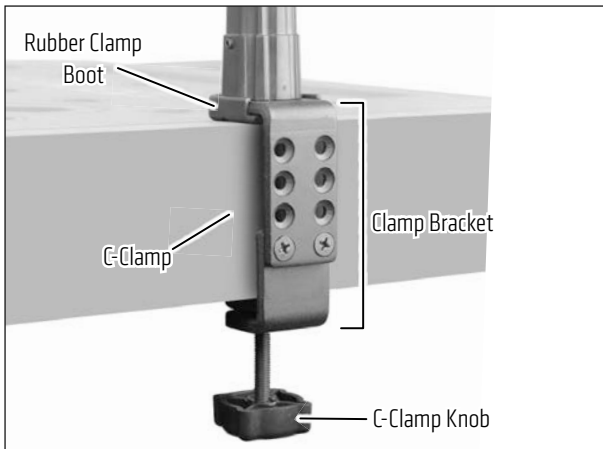
**Package Contents:**

(1) **HD011-B** – Clamp Base with 20mm Ball Collar

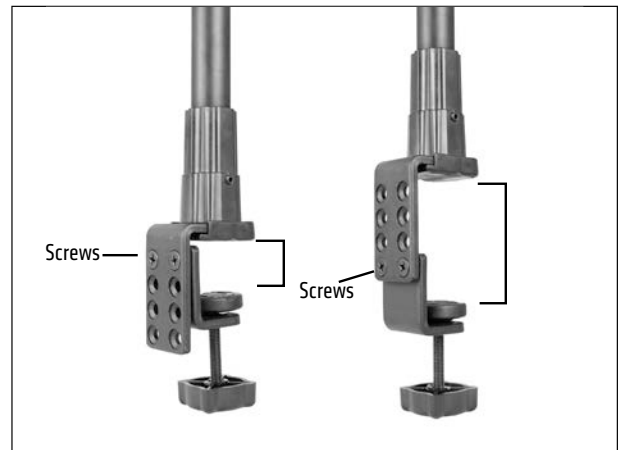
The Clamp Base for Arkon Mounts' Pro Stand includes a pole that extends upward from 17 to 29 inches and an adjustable clamp that opens up to 3 inches thick to clamp onto a counter, tablet, podium, desk, or other clampable surface.

**Installing Clamp Base**

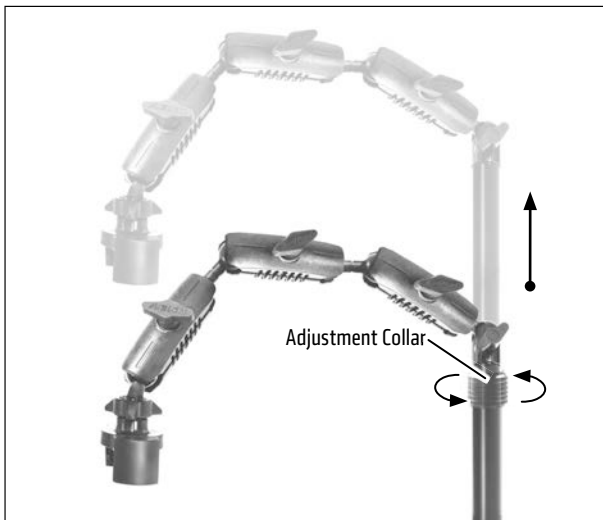
- 1 Attach mount to surface by tightening C-clamp knob. Slide optional rubber clamp boot onto the top of the mount's clamp to prevent scratching clamp surface if desired.



- 2 For thicker tables or desks, adjust the clamp bracket by using a Phillips screwdriver to remove the screws from the top position and move them to lower positions.

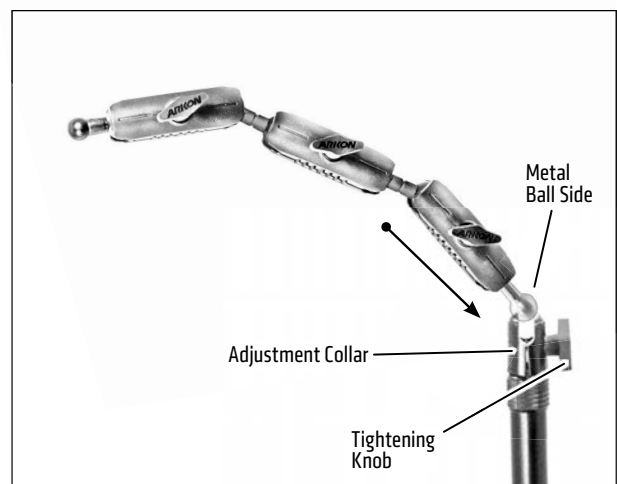


- 3 Adjust the height of the pole by loosening the adjustment collar counterclockwise. Tighten clockwise to set height.



**Changing your Pro Stand from Weighted Base to Clamp Base**

Unscrew collar at the top of the telescoping pole and carefully remove metal ball and overhead arm assembly. Attach metal ball and overhead arm assembly to the clamp base's collar. Tighten collar clockwise to secure.



**⚠ Safety Precautions**

Arkon Resources, Inc. is not responsible for any damages caused to your device or yourself due to the installation or use of this mount.

**ARKON MOUNTS**

Consumer Hotline:

USA (800) 841-0884

INT'L (626) 254-9005

Monday - Friday 9 am - 5 pm, PST

[www.arkon.com](http://www.arkon.com)

Arcadia, CA 91006 USA

Designed in USA | Made in Taiwan and USA

© Copyright 2021 Arkon Resources, Inc.