



HD001NHB

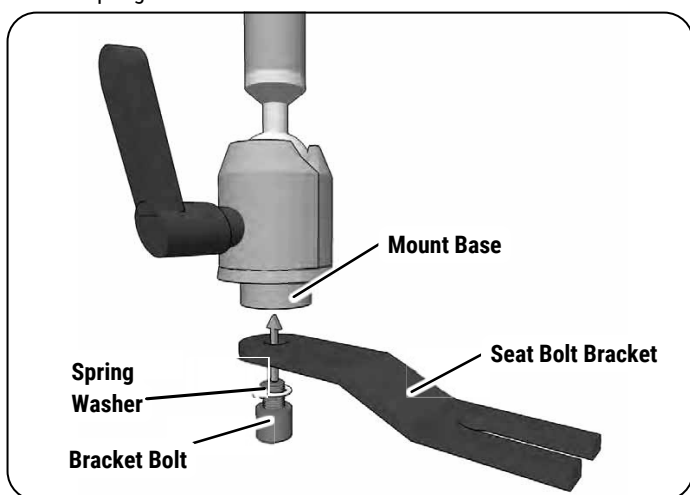


AP20MMVESA

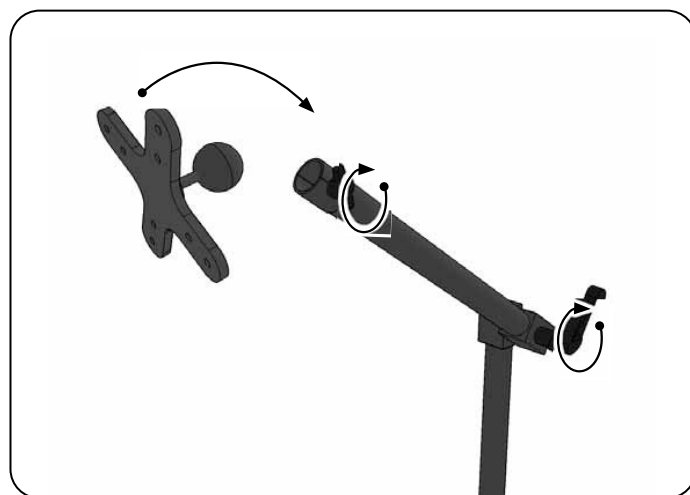
Includes:

- 1 - 22" Seat Rail Mounting Pedestal (HD001NHB)
- 1 - 20mm Ball to VESA 75/VESA 100 Adapter (AP20MMVESA)

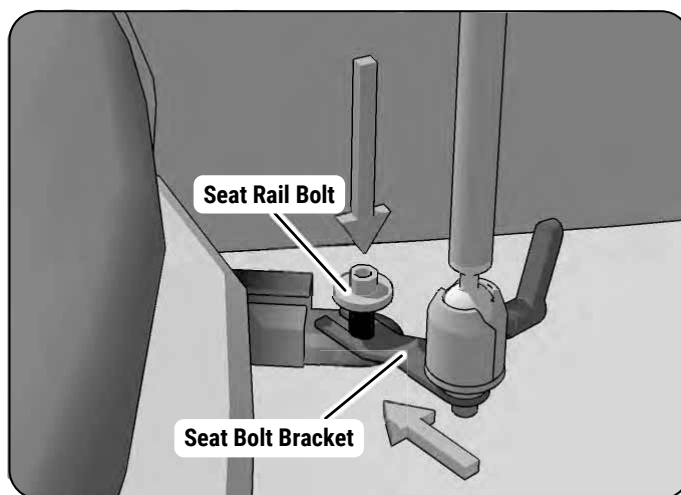
- 1** Attach the correct seat bolt bracket to the mount with the provided bracket bolt and hex key. Make sure to place the spring washer between the bolt and bracket as indicated.



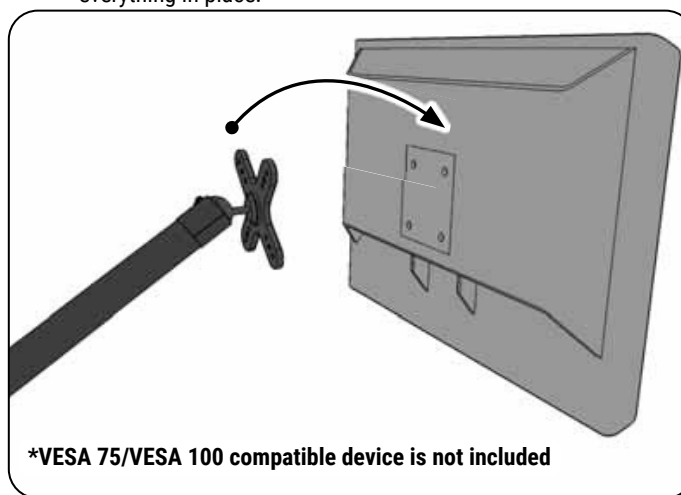
- 3** Attach the AP20MMVESA adapter to the mount shaft as demonstrated by loosening the knob. Then, tighten it securely.



- 2** Attach the mount to the seat rail bolt by using a socket wrench to loosen the bolt, then insert the bracket and retighten the bolt.



- 4** Attach any compatible device to the VESA plate. Adjust the angle of the pedestal and the position of the VESA plate by loosening the adjustment knob, then tighten it to secure everything in place.



WARNING

CHOKING HAZARD - Keep out of reach from children under 8 yrs. as they can choke or suffocate on parts included with this system

WARNING

Arkon® is not responsible for any damages caused to your device or yourself due to the installation or use of this mount. Do not install Arkon® products near areas that interfere with operation of vehicles. Arkon® assumes no responsibility or liability for injury or death as a result of failure to install in a safe location. Arkon® is not responsible for any damages caused to vehicles, product, or people due to the installation or use of this product.

