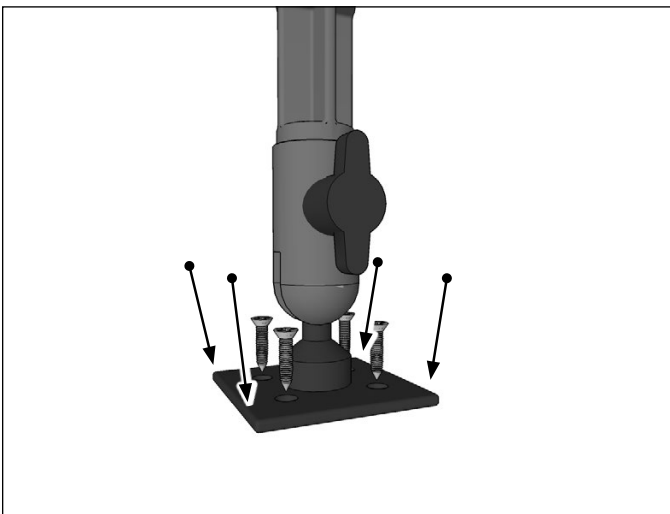




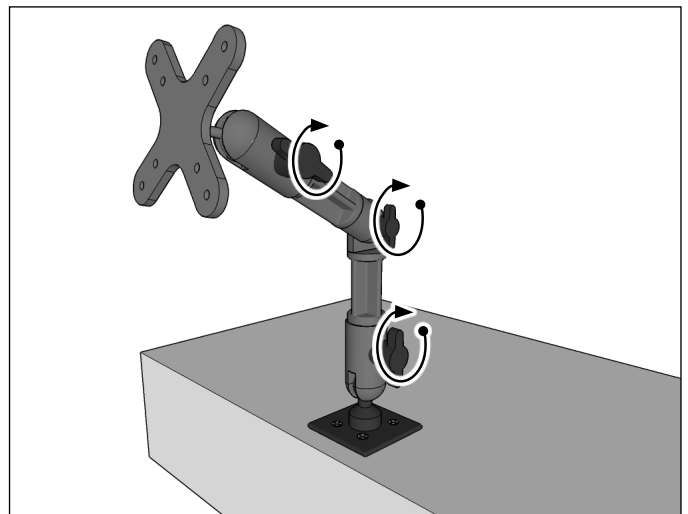
Package Contents:

(1) HD6VESA20 – Heavy-Duty 8" Multi-Angle Drill-Base Mount with VESA 75/VESA 100 Compatible Head

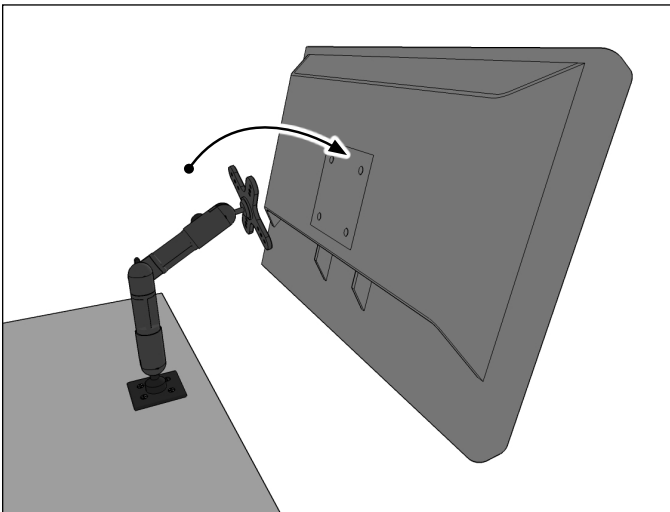
- 1** Attach the pedestal to the mounting surface through the AMPS base plate. Choose the screws that will work best on the chosen mounting surface. Use anchors if necessary.



- 2** Loosen adjustment knob to adjust angle of pedestal and position of VESA plate. Tighten to secure.



- 3** Attach any VESA 75/VESA 100 compatible device or holder (not included, sold separately) to the VESA plate.



! Safety Precautions

Do not install Arkon products over an air bag cover or within the air bag deployment zone. Arkon Resources, Inc. assumes no responsibility of liability for injury or death as a result of car crashes and / or air bag deployment.

Arkon is not responsible for any damages caused to your vehicle, your device, or yourself due to the installation or use of this mount.

ARKON MOUNTS

Consumer Hotline:

USA (800) 841-0884

INT'L (626) 254-9005

Monday - Friday 9am - 5pm, PST

www.arkon.com

Arcadia, CA 91006 USA

Designed in USA | Made in USA

© Copyright 2019 Arkon Resources, Inc.