



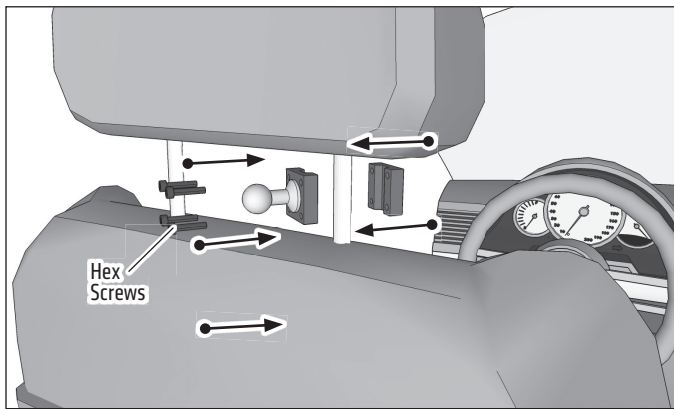
Package Contents:

- (1) HD005 – Heavy-Duty Mounting Pedestal with 10" Adjustable Arm
- (1) HM004-B – Headrest Clamp with 20mm Ball
- (1) AP20MMAL – 4-Hole AMPS to 20mm Metal Ball Adapter

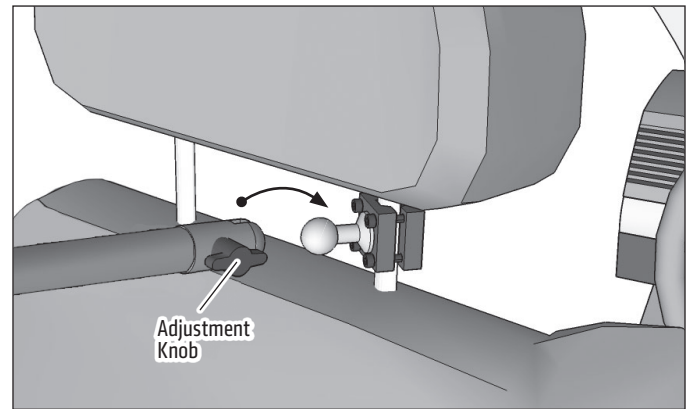
Clamp fits .31"-.63" (8mm-16mm) diameter posts.

IMPORTANT: Clamp may not fit all headrest types. Please consult your vehicle's user manual for compatibility.

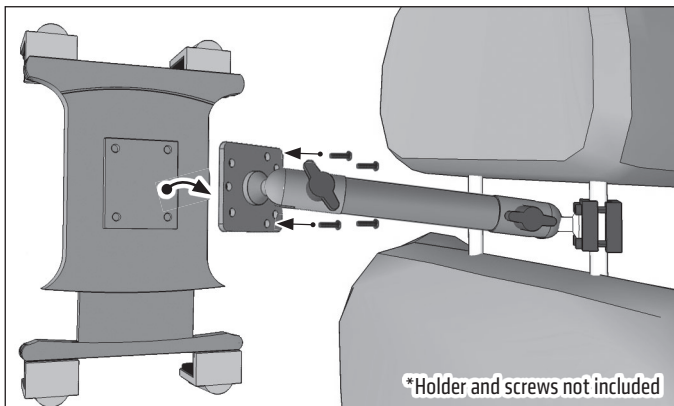
- 1 Place clamp on headrest and use the included hex key to securely tighten the clamp to screw the 4 hex screws to securely mount clamp onto post.



- 2 Loosen the adjustment knob on the pedestal and position the pedestal over the mount's ball. Retighten knob and set pedestal to desired angle.



- 3 Attach 4-Hole AMPS compatible holder or device (not included).



! Safety Precautions
Do not install Arkon products over an air bag cover or within the air bag deployment zone. Arkon Resources, Inc. assumes no responsibility of liability for injury or death as a result of car crashes and/or air bag deployment.

Arkon Resources, Inc. is not responsible for any damages caused to you, your passengers, or your vehicle due to the installation of this product.

ARKON MOUNTS

Consumer Hotline:
USA (800) 841-0884
INT'L (626) 254-9005
 Monday - Friday 9 am - 5 pm, PST

www.arkon.com
 Arcadia, CA 91006 USA
 Designed in USA | Made in Taiwan and USA
 © Copyright 2020 Arkon Resources, Inc.