



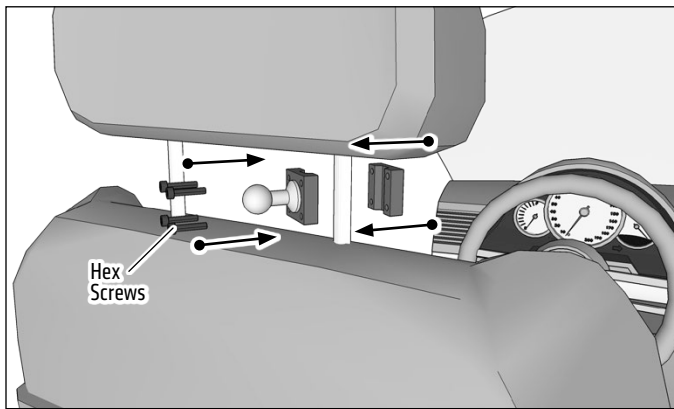
**Package Contents:**

- HD006** – Multi-Angle Aluminum Mounting Pedestal with 8" Adjustable Arm
- HM004-B** – Headrest Clamp with 20mm Ball
- RVXLWR** – RoadVise XL Phone and 7" Tablet Holder with Tightening Ring
- SP20MM17** – 20mm Ball to 17mm Ball Adapter

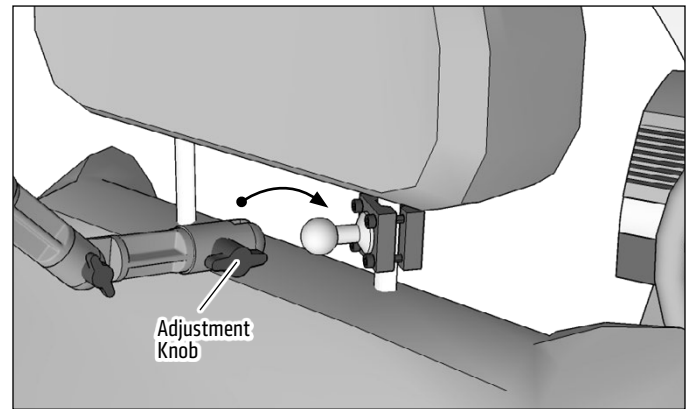
Clamp fits .31"-.63" (8mm-16mm) diameter posts.

**IMPORTANT:** Clamp may not fit all headrest types. Please consult your vehicle's user manual for compatibility.

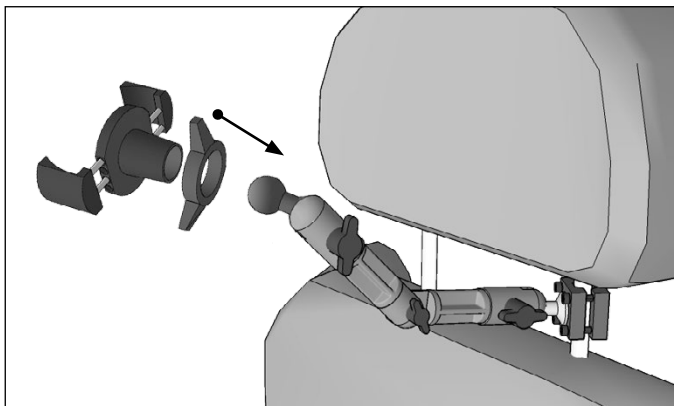
- 1** Place clamp on headrest and use the included hex key to securely tighten the clamp to screw the 4 hex screws to securely mount clamp onto post.



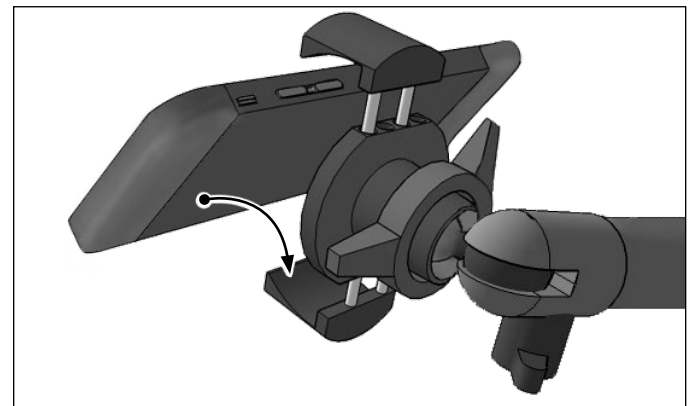
- 2** Loosen the adjustment knob on the pedestal, remove the drill base, and position the pedestal over the mount's ball. Retighten knob and set pedestal to desired angle.



- 3** Attach holder to pedestal and re-tighten ring.



- 4** Using two hands, insert device into the holder by pushing the device into one of the spring-loaded legs. Expand the other leg and fully insert device until it lays flat against the rubber pad.



**Safety Precaution**

Arkon Resources, Inc. is not responsible for any damages caused to your vehicle or yourself due to the installation of this product.



*The Mobile Mounting Specialists™*

Consumer Hotline:

USA (800) 841-0884

INT'L (626) 254-9005

Monday - Friday 9 am - 5 pm, PST

[www.arkon.com](http://www.arkon.com)

Arcadia, CA 91006 USA

Designed in USA | Made in Taiwan

© Copyright 2017 Arkon Resources, Inc.