



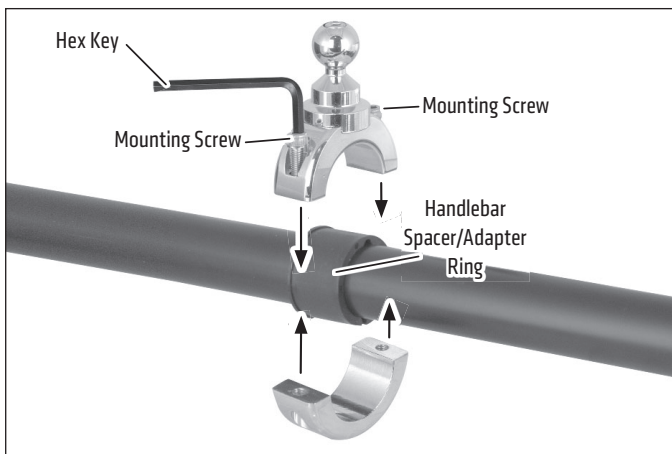
**Package Contents:**

- (1) MC2C – Motorcycle Handlebar Mount
- (1) SM060-2 – Slim-Grip® Ultra™ Universal Smartphone & Tablet Holder
- (1) SP-SBH-KIT – 17mm Ball to Dual T-Tab Adapter with Tightening Ring

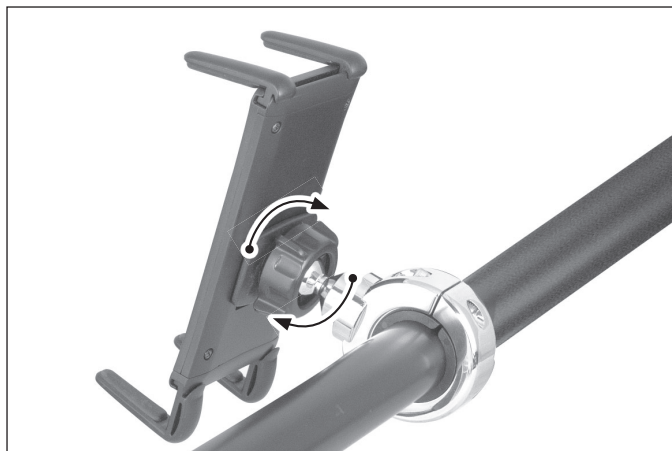
This Motorcycle Mount fits cylindrical handlebars up to 30mm diameter and comes with 3 handlebar spacer/adapters of different widths. Select the appropriate size for optimum mounting to your handlebar.

The Slim-Grip® Ultra™ Universal Smartphone & Tablet Holder fits devices up to 7.5 inches tall.

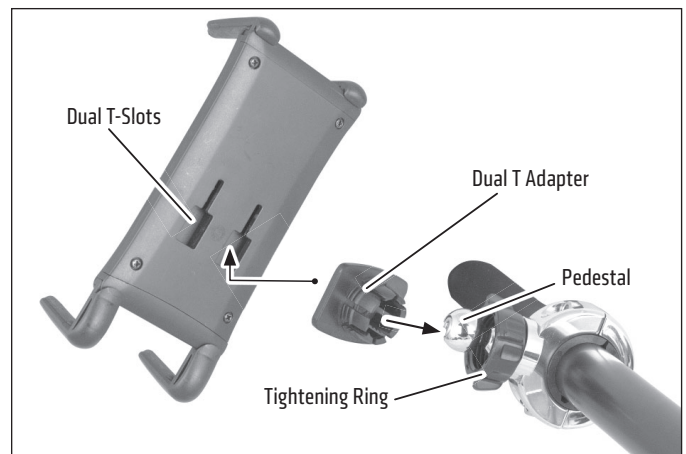
- 1 Place handlebar spacer/adaptor ring around handlebar. Attach mount to handlebar around spacer. Use the included hex key to securely tighten both mounting screws.



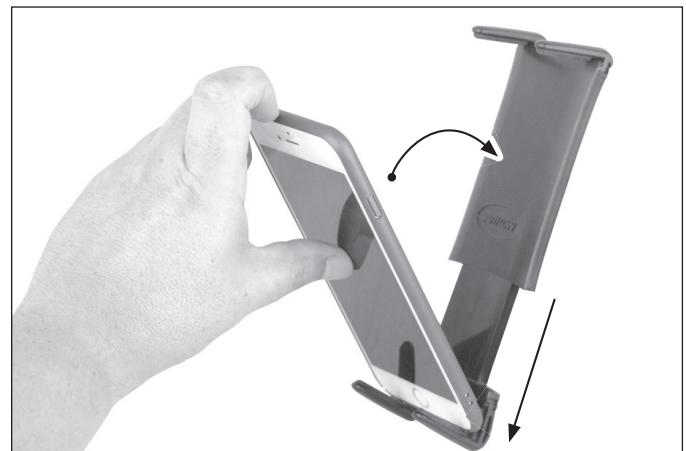
- 3 Tighten the tightening ring to secure.



- 2 Rest the tightening ring on the pedestal. Attach Dual-T adapter by inserting the adapter's Dual-T-Tabs into the holder's Dual T-Slots. Combine the Dual-T adapter with the pedestal.



- 4 Insert smartphone or midsize tablet by placing it on the the 2 lower legs and pushing down on the spring-loaded holder.



**Safety Precautions**

Arkon is not responsible for any damages caused to your vehicle, your device, or yourself due to the installation or use of this mount.

**ARKON MOUNTS**

Consumer Hotline:

USA (800) 841-0884

INT'L (626) 254-9005

Monday - Friday 9am - 5pm, PST

[www.arkon.com](http://www.arkon.com)

Arcadia, CA 91006 USA

Designed in USA | Made in Taiwan

© Copyright 2021 Arkon Resources, Inc.