



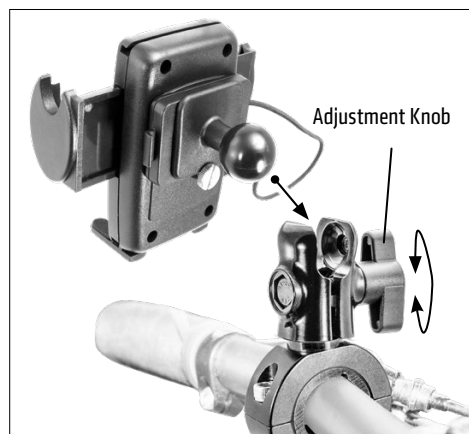
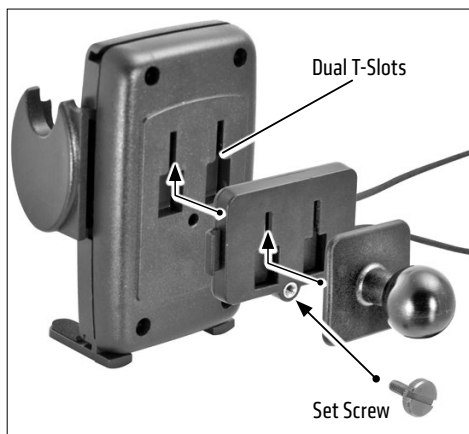
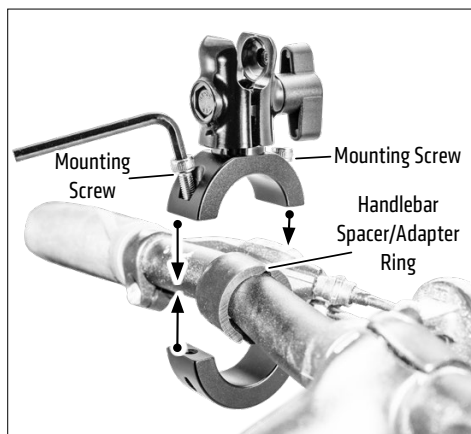
**Package Contents:**

- (1) MC4B01B – Motorcycle Handlebar Mount
- (1) SM040-2 – Mega Grip Universal Phone Holder
- (1) APRM2T – 25mm Ball to Dual T-Tab Adapter
- (1) APLSSTRAP – Dual T-Slot to Dual T-Tab Elastic Securing Strap

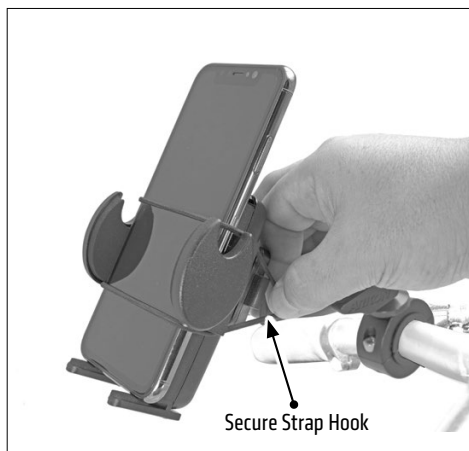
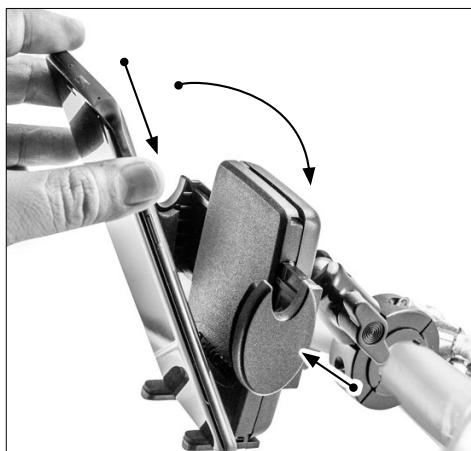
This Motorcycle Mount fits cylindrical handlebars up to 30mm diameter and comes with 3 handlebar spacer/adapters of different widths. Select the appropriate size for optimum mounting to your handlebar.

The Mega Grip Universal Phone Holder fits smartphones up to 3.25 inches wide.

- 1** Place handlebar spacer/adaptor ring around handlebar. Attach mount to handlebar around spacer. Use the included hex key to securely tighten both mounting screws.
- 2** Attach strap by inserting the strap's Dual T-Tabs in to the holder's Dual T-Slots. Attach adapter by inserting the adapter's Dual T-Tabs into the strap's Dual T-Slots. Insert screw to secure.
- 3** Use the adjustment knob to loosen the mount. Insert the assembled mobile phone holder to the handlebar mount and tighten the adjustment knob to secure.



- 4** Place the phone into the holder with the device sitting on the support legs. Clamp the grip arms inward to secure the device in the holder.
- 5** Place strap across the device and secure it to the L-shaped strap hook.
- 6** Press release button to open mount arms.



**! Safety Precautions**  
 Arkon is not responsible for any damages caused to your vehicle, your device, or yourself due to the installation or use of this mount.

**ARKON MOUNTS**

Consumer Hotline: [www.arkon.com](http://www.arkon.com)  
 USA (800) 841-0884 Arcadia, CA 91006 USA  
 INT'L (626) 254-9005 Designed in USA | Made in USA  
 Monday - Friday 9am - 5pm, PST © Copyright 2019 Arkon Resources, Inc.