



MG002



SP-SB-RING

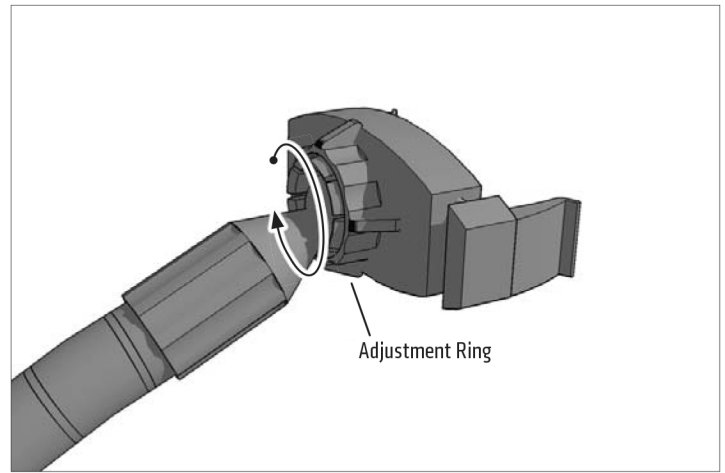
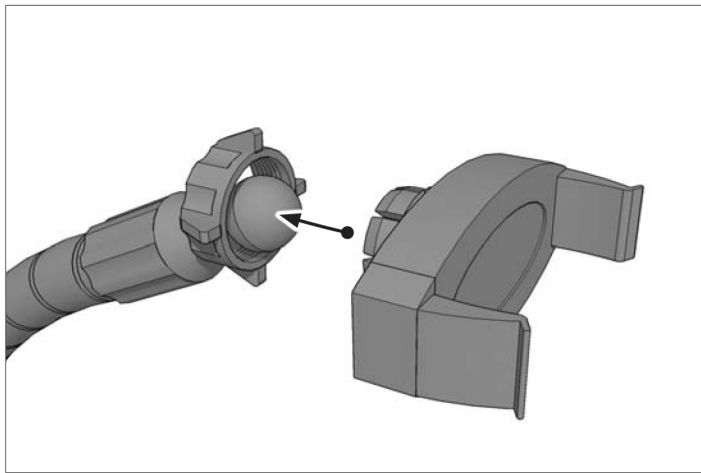
Package Contents:

- (1) MG002 – Mobile Grip 2 Universal Smartphone Holder
- (1) SP-SB-RING – Tightening Ring

Using the Mobile Grip with a 17mm Mounting Ball

- 1 Place adjustment ring over the pedestal ball of any mount with a 17mm ball adapter (sold separately, not included). Snap Mobile Grip 2 Universal Holder onto the pedestal.

- 2 Adjust the pedestal to the desired position and tighten the adjustment ring to set.

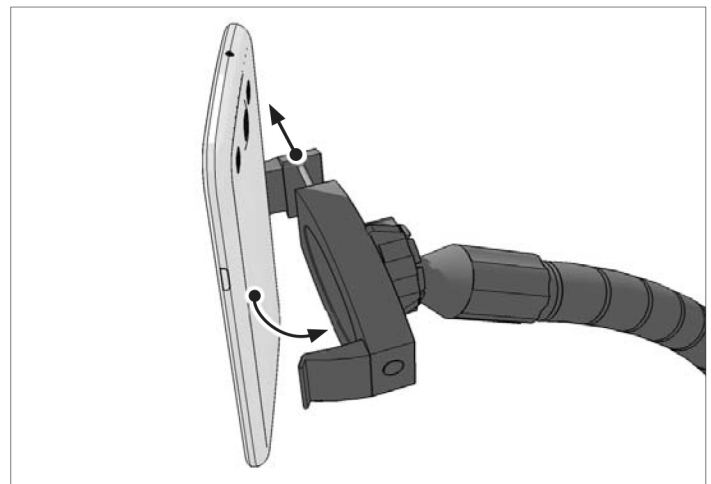
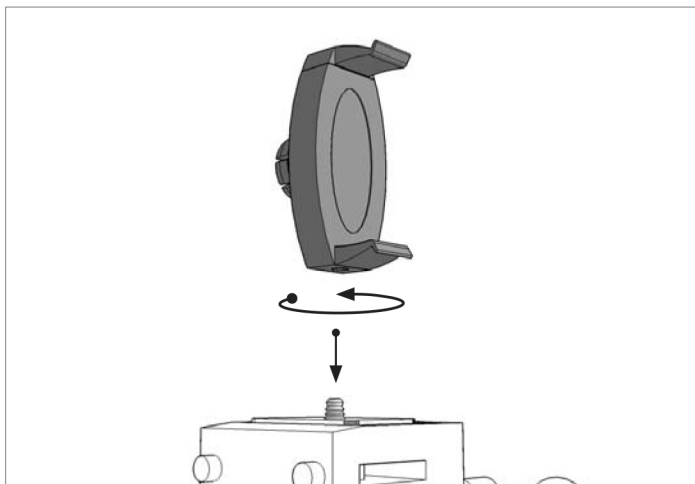


Mount Directly onto 1/4"-20 mounting pattern

Unscrew cord catcher to reveal 1/4"-20 pattern. Screw Mobile Grip 2 Universal Holder directly onto any tripod or holder (sold separately, not included) with a 1/4"-20 mounting bolt.

Inserting a Device into the Mobile Grip Holder

Insert device by pushing against the spring loaded support leg.



⚠ Safety Precautions

Do not install Arkon products over an air bag cover or within the air bag deployment zone. Arkon Resources, Inc. assumes no responsibility of liability for injury or death as a result of car crashes and / or air bag deployment.

Arkon is not responsible for any damages caused to your vehicle, your device, or yourself due to the installation or use of this mount.



The Mobile Mounting Specialists™

Consumer Hotline:

USA (800) 841-0884

INT'L (626) 254-9005

Monday - Friday 9am - 5pm, PST

www.arkon.com

Arcadia, CA 91006 USA

Designed in USA | Made in China

© Copyright 2022 Arkon Resources, Inc.