

Package Contents:

- (1) MG002 - Mobile Grip 2 Universal Phone Holder
- (1) GN010 - Slim Adhesive Dashboard Mount
- (1) SP-SB-RING - Swivel Adjustment Ring

The Mobile Grip 2 Universal Holder accommodates all phones with cases and other devices up to 3.6" wide.



GN010
Slim Adhesive Console / Dash Mount

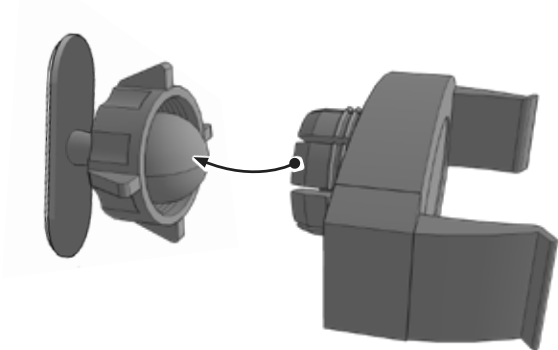


SP-SB-RING
Swivel Adjustment Ring

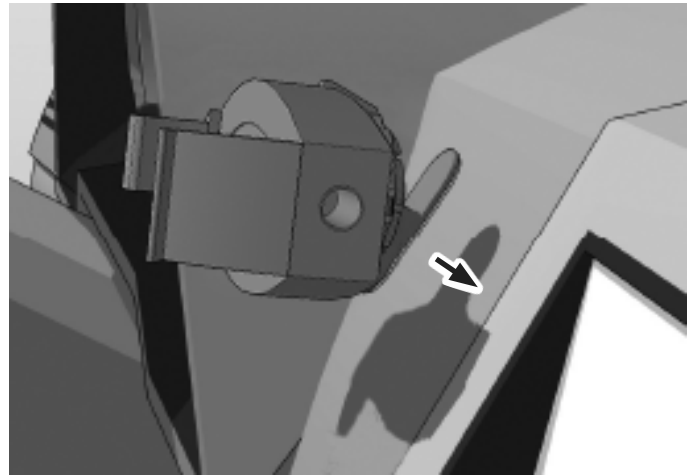


MG002
Mobile Grip 2 Universal Smartphone Holder

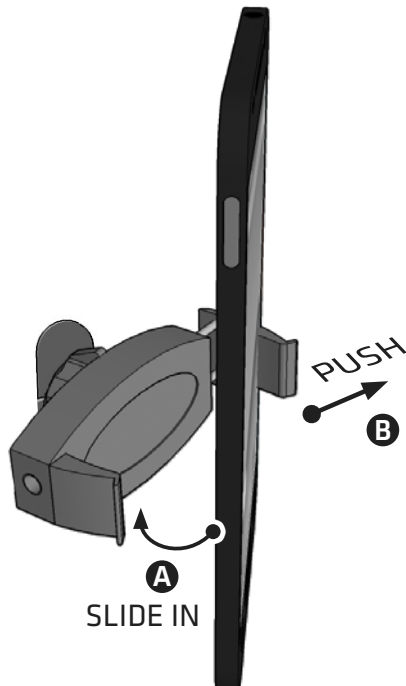
- 1** Place adjustment ring over the mount ball and snap Mobile Grip 2 Universal Holder onto the mount.



- 2** Apply adhesive base to dashboard area. Let cure 24 hours before use.



- 3** Insert smartphone into Mobile Grip 2 Holder by pushing against the spring-loaded support leg. Loosen adjustment ring to change position. Retighten to set.



Safety Precautions

Do not install Arkon products over an air bag cover or within the air bag deployment zone. Arkon Resources, Inc. assumes no responsibility of liability for injury or death as a result of car crashes and /or air bag deployment.

Arkon is not responsible for any damages caused to your car, your device, or yourself due to the installation or use of this pedestal mount.

ARKON® MOUNTS

Consumer Hotline:

USA (800) 841-0884

INT'L (626) 254-9005

Monday - Friday 9am - 5pm, PST

www.arkon.com

Arcadia, CA 91006 USA

Designed in USA | Made in China and Taiwan

© Copyright 2019 Arkon Resources, Inc.