

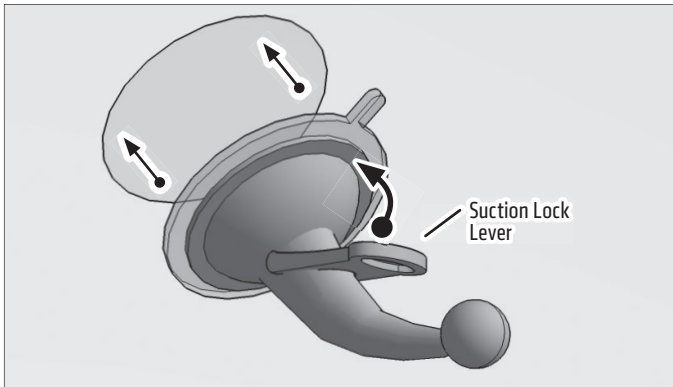


**Package Contents:**

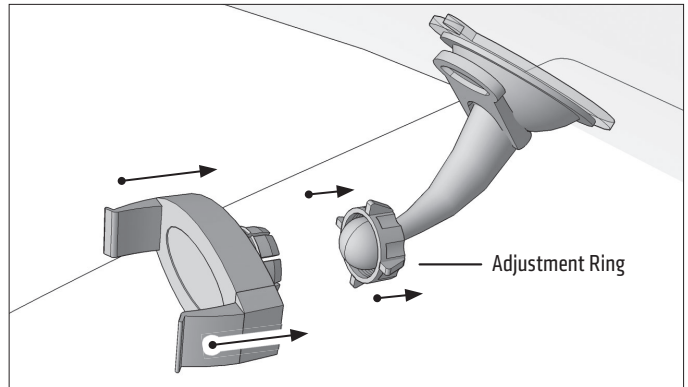
- (1) MG002 – Mobile Grip 2 Universal Smartphone Holder
- (1) GN015 – Travelmount® Mini Windshield Suction Pedestal
- (1) AP013 – 80mm Adhesive Disk
- (1) SP-SB-RING - Swivel Adjustment Ring

The Mobile Grip 2 Universal Holder accommodates all phones with cases and other devices up to 3.6" wide.

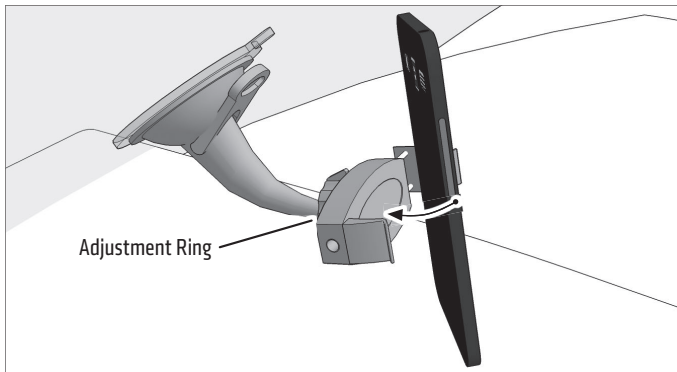
- 1** Attach pedestal to windshield, push down on lever to engage suction lock.



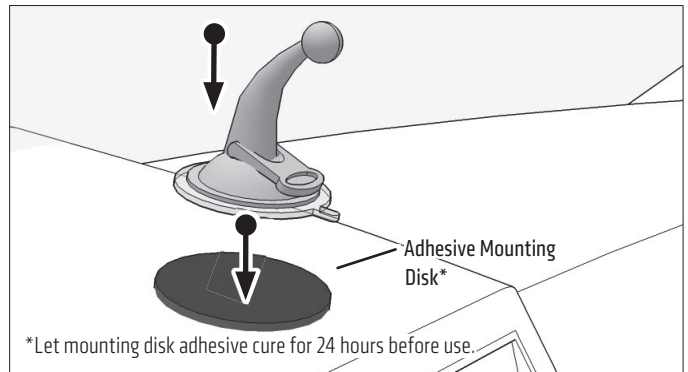
- 2** Place adjustment ring over the pedestal ball and snap Mobile Grip 2 Universal Holder onto the pedestal.



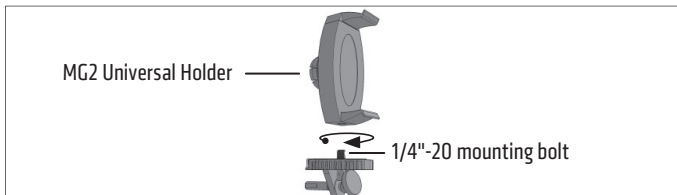
- 3** Insert device and tighten ring to set position.



**OPTIONAL:** For semi-permanent dashboard installation, use included adhesive mounting disk\*.



**OPTIONAL:** Remove the rubber insert on the side of the Mobile Grip 2 Universal Holder to reveal a 1/4"-20 threaded camera mounting pattern for use on tripods (not included, sold separately).



**! Safety Precautions**  
Do not install Arkon products over an airbag cover or within the airbag deployment zone. Arkon Resources, Inc. assumes no responsibility of liability for injury or death as a result of car crashes and / or airbag deployment.

Arkon is not responsible for any damages caused to your vehicle, your device, or yourself due to the installation or use of this mount.

# ARKON MOUNTS

Consumer Hotline:  
USA (800) 841-0884  
INT'L (626) 254-9005  
Monday - Friday 9am - 5pm, PST

[www.arkon.com](http://www.arkon.com)  
Arcadia, CA 91006 USA  
Designed in USA | Made in USA  
© Copyright 2018 Arkon Resources, Inc.