



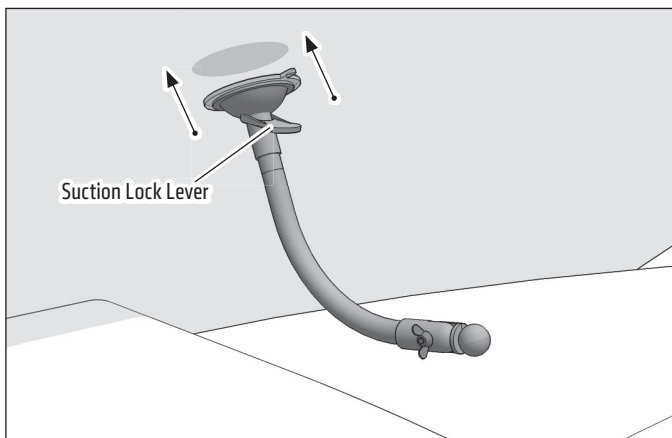
Package Contents:

- (1) MG002 – Mobile Grip 2 Universal Smartphone Holder
- (1) GN042 – Windshield Suction Mounting Pedestal with 8.5" Gooseneck
- (1) AP013 – 80mm Adhesive Mounting Disk
- (1) SP-SB-RING – Swivel Adjustment Ring

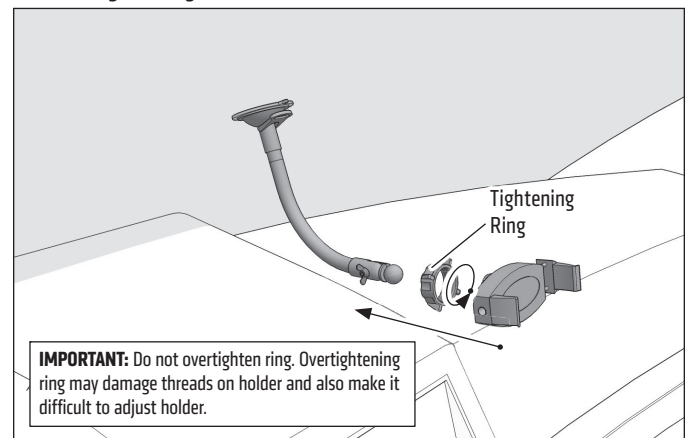
Arkon's Mobile Grip 2 Universal Smartphone Holder fits all smartphones up to 3.6" wide.

CAUTION: Do not place mount in or near an air bag deployment zone or where it will obstruct view of the road.

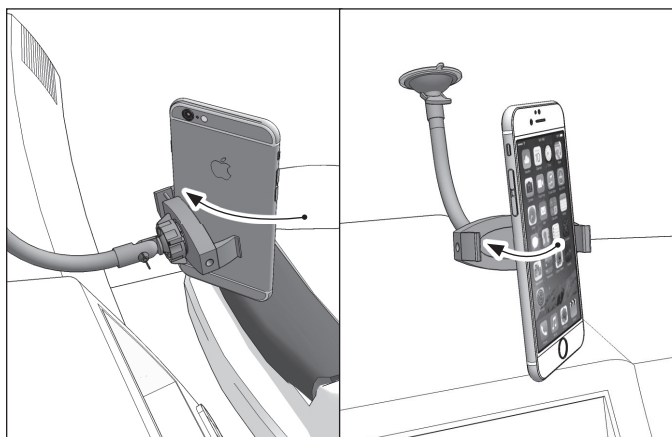
- 1** Attach the mount to windshield and engage suction lock lever.



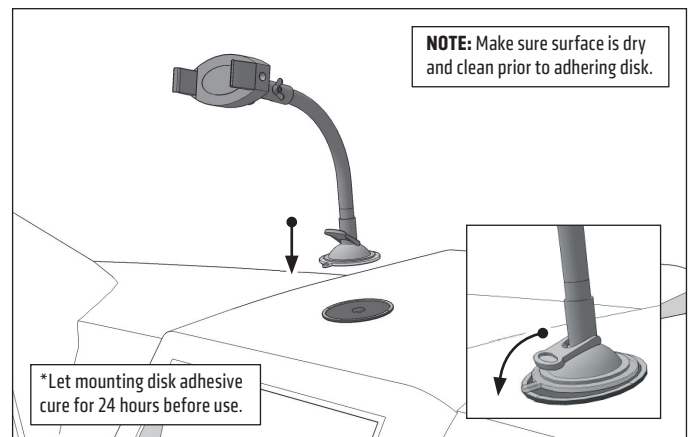
- 2** Place tightening ring over 17mm end of ball adapter and snap the universal smartphone holder onto adapter. Set to desired position and tighten ring.



- 3** Insert smartphone (not included, sold separately) by pushing the spring-loaded arm out until the holder secures the device.



OPTIONAL: For dashboard mounting, use the included mounting disk.



⚠ Safety Precautions
Do not install Arkon products over an air bag cover or within the air bag deployment zone. Arkon Resources, Inc. assumes no responsibility of liability for injury or death as a result of car crashes and / or air bag deployment.

Arkon is not responsible for any damages caused to your vehicle, your device, or yourself due to the installation or use of this mount.

ARKON MOUNTS

Consumer Hotline:
USA (800) 841-0884
INT'L (626) 254-9005
 Monday - Friday 9 am - 5 pm, PST

www.arkon.com
 Arcadia, CA 91006 USA
 Designed in USA | Made in Taiwan and USA
 © Copyright 2019 Arkon Resources, Inc.