



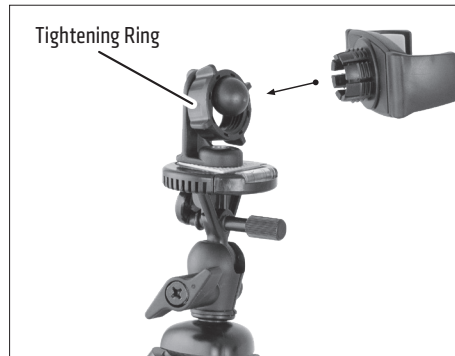
Package Contents:

- (1) MGO05WR – Mobile Grip 5 Universal Smartphone Holder with Tightening Ring
- (1) CMPTRIXL-B – Flexible 11" Tripod
- (1) AP142017MM – 1/4"-20 Camera Pattern to 17mm Ball Adapter
- (1) CAMPOUCHXL – Carrying Bag

Compatibility: Fits smartphones measuring 3.9" wide.

Using the 17mm Ball Adapter with the Mobile Grip 5 Universal Holder:

- 1 Screw 17mm Ball Adapter onto the 1/4"-20 mounting bolt.
- 2 Place tightening ring over the adapter mount ball and snap Mobile Grip 5 Universal Holder onto the adapter mount.
- 3 Using two hands, insert phone into the holder by pushing the device into one of the spring-loaded legs. Expand the other leg and fully insert device until it lays flat against the back of the holder.



Using With Digital Camera:

- 1 Attach camera by screwing it onto the 1/4"-20 mounting bolt.
- 2 Loosen the adjustment knob to change position and retighten to set.
- 3 Release the 1/4"-20 mount by unscrewing lateral screw and pressing on release tab.



! Safety Precautions

Arkon is not responsible for any damages caused to your device or yourself due to the installation or use of the mount.

WARNING: This product may expose you to chemicals, which are known to the State of California to cause cancer. For more information, go to www.P65Warnings.ca.gov.

ARKON MOUNTS

Consumer Hotline:

USA (800) 841-0884

INT'L (626) 254-9005

Monday - Friday 9am - 5pm, PST

www.arkon.com

Arcadia, CA 91006 USA

Designed in USA | Made in Taiwan

© Copyright 2020 Arkon Resources, Inc.

U.S. Pat. No. 6,585,212