

Package Contents:

- (1) TAB001-AMPS – Slim-Grip® Universal Holder with 4-Hole AMPS Mounting Pattern
- (1) SPPPTAB1FT – Mobile Printer-Compatible Support Legs

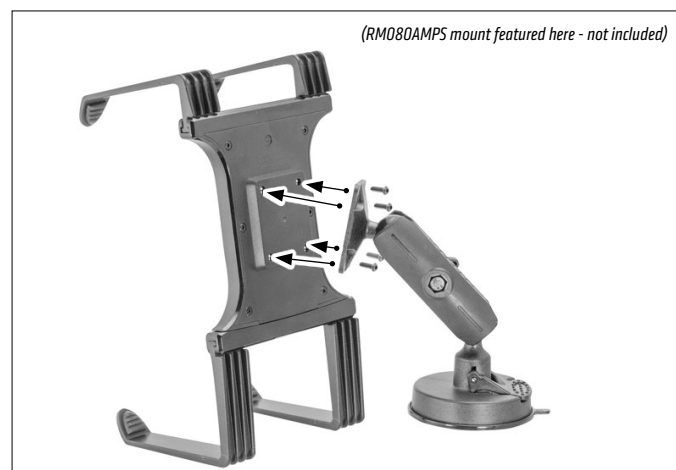
PPTAB1AMPS includes 2 short and 2 long support legs. Select a combination of 4 support legs in conjunction for use with the spring-loaded holder to achieve the perfect fit for your mobile printer.

IMPORTANT: This is a spring-loaded holder. After selecting and installing the support legs that will fit your mobile printer, **push down on the lower legs to engage the spring-loaded holder** and mount your device.

- 1** Attach long or short support legs to the holder based on the size of your device.



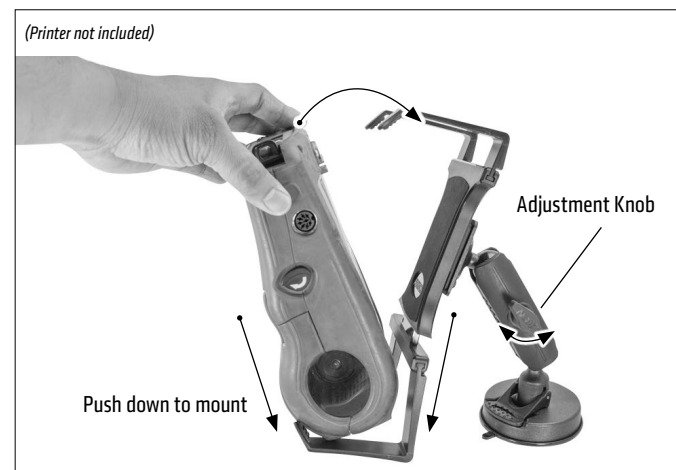
- 2** Holder connects directly to AMPS-compatible mount (screws included).



- 3** Or, attach any Arkon or third-party AMPS-compatible adapter (sold separately).



- 4** Mount printer by pushing down on bottom spring-loaded legs; adjust holder and support legs as needed.



Safety Precautions

Arkon is not responsible for any damages caused to your vehicle, your device, or yourself due to the installation or use of this mount. Do not install Arkon products over an air bag cover or within the air bag deployment zone. Arkon Resources, Inc. assumes no responsibility of liability for injury or death as a result of car crashes and/or air bag deployment.

ARKON MOUNTS

Consumer Hotline:

USA (800) 841-0884

INT'L (626) 254-9005

Monday - Friday 9 am - 5 pm, PST

www.arkon.com

Arcadia, CA 91006 USA

Designed in USA | Made in Taiwan and USA

© Copyright 2019 Arkon Resources, Inc.