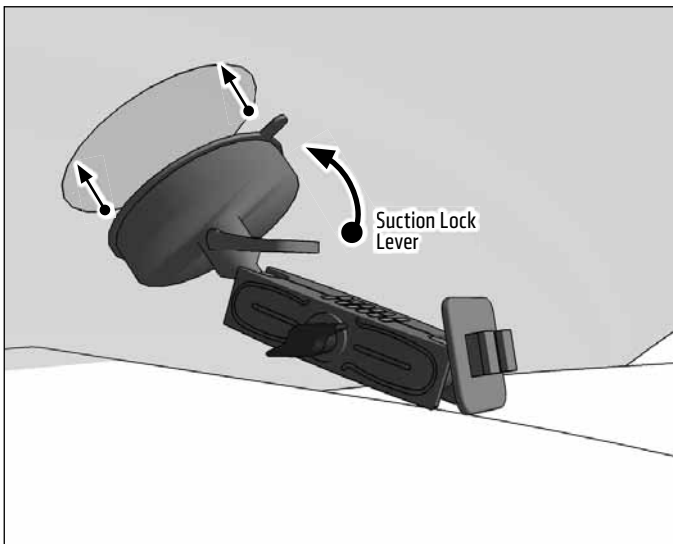




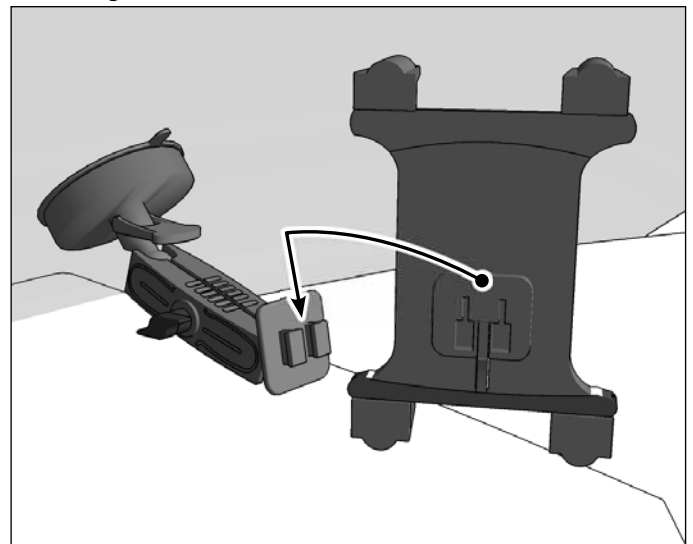
Package Contents:

RM0802T – Heavy-Duty 80mm Suction Mounting Pedestal

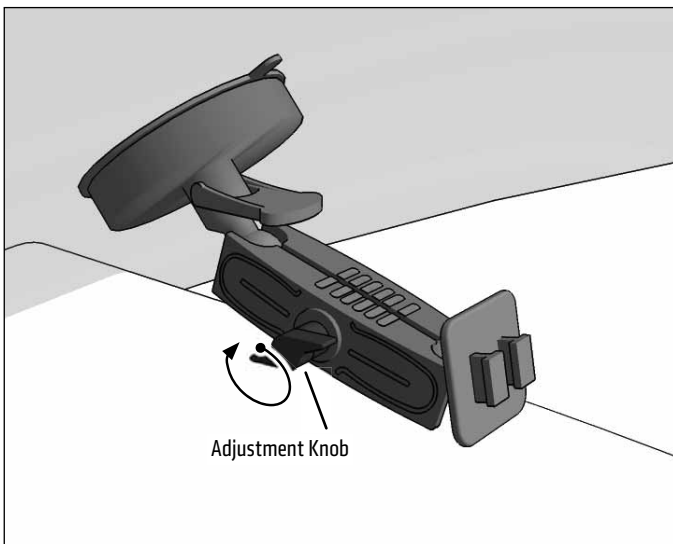
- 1 Attach pedestal to windshield, engage suction lock.



- 2 Attach any Arkon Dual-T compatible holder (sold separately) by sliding the Dual T-Tabs into the Dual T-Slots.



- 3 Loosen adjustment knob to adjust position. Retighten to set.



! Safety Precautions

Do not install Arkon products over an airbag cover or within the airbag deployment zone. Arkon Resources, Inc. assumes no responsibility of liability for injury or death as a result of car crashes and / or airbag deployment.

Arkon is not responsible for any damages caused to your vehicle, your device, or yourself due to the installation or use of this mount.

ARKON
RESOURCES INC.

The Mobile Mounting Specialists™

Consumer Hotline:

USA (800) 841-0884

INT'L (626) 254-9005

Monday - Friday 9 am - 5 pm, PST

www.arkon.com

Arcadia, CA 91006 USA

Designed in USA | Made in Taiwan

© Copyright 2016 Arkon Resources, Inc.