



GN-BKT6000



RM0802517



AP020

Package Contents:

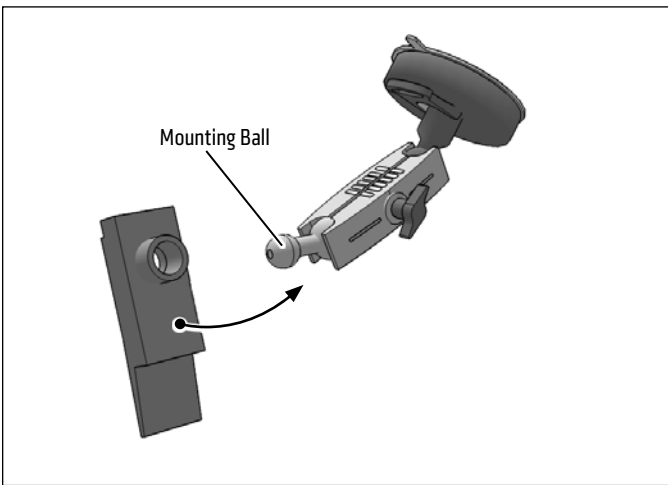
- (1) GN-BKT6000 - Replacement Bracket Holder for Garmin® Alpha and Astro GPS
- (1) RM0802517 - Robust Suction Mounting Pedestal with 17mm Head
- (1) AP020 - Adhesive Dashboard Mounting Disk

Device Compatibility:

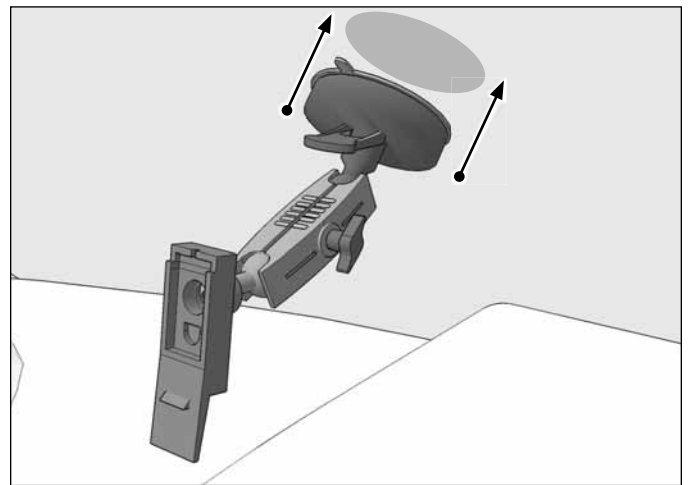
Compatible with Garmin® Alpha 100 and Garmin® Astro 430 and 320 handheld models.

The Garmin brand name is a trademark or registered trademark of Garmin International.

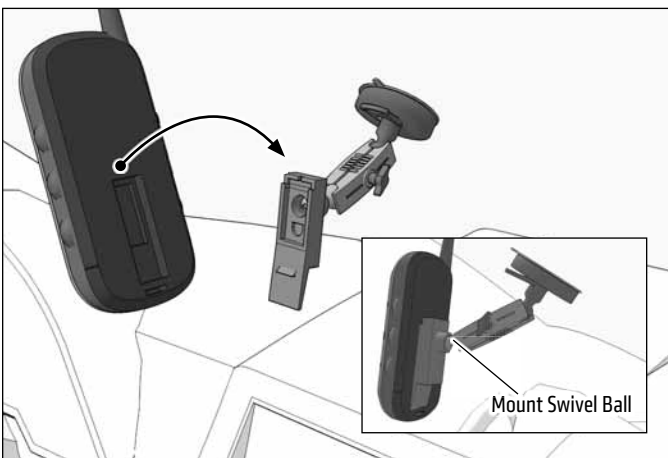
- 1 Attach bracket to pedestal by snapping it firmly onto the mounting ball.



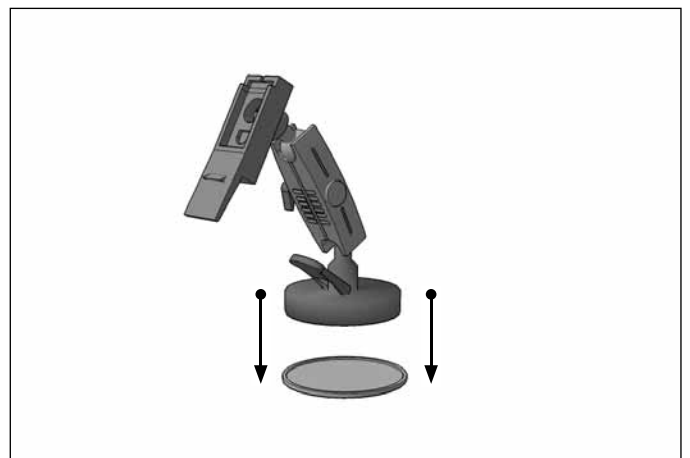
- 2 Attach pedestal to windshield, engage suction lock lever.



- 3 Insert Garmin Alpha or Astro device (not included) into the mounting bracket. Adjust device position by rotating on mount swivel ball.



OPTIONAL: Mount to dashboard using adhesive mounting disk. Allow disk to cure for 24 hours prior to use.



Safety Precautions

Do not install Arkon products over an air bag cover or within the air bag deployment zone. Arkon Resources, Inc. assumes no responsibility of liability for injury or death as a result of car crashes and / or air bag deployment.

Arkon is not responsible for any damages caused to your vehicle, your device, or yourself due to the installation or use of this bracket.

ARKON
RESOURCES INC.

The Mobile Mounting Specialists™

Consumer Hotline:

USA (800) 841-0884

INT'L (626) 254-9005

Monday - Friday 9 am - 5 pm, PST

www.arkon.com

Arcadia, CA 91006 USA

Designed in USA | Made in Taiwan

© Copyright 2017 Arkon Resources, Inc.