

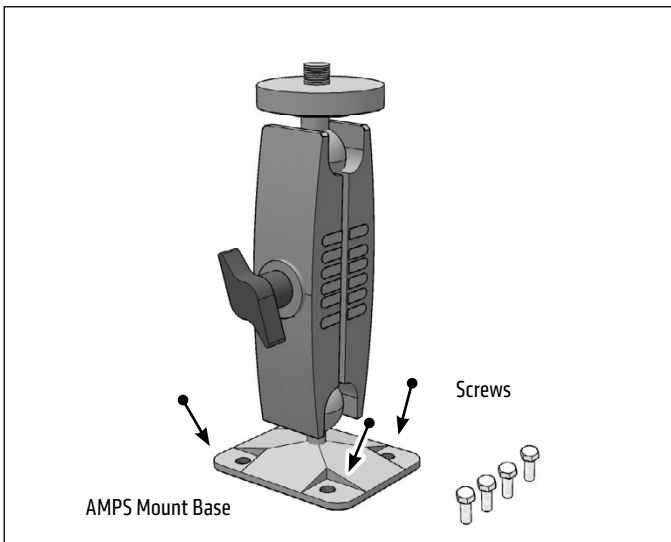


RMAMPS1420

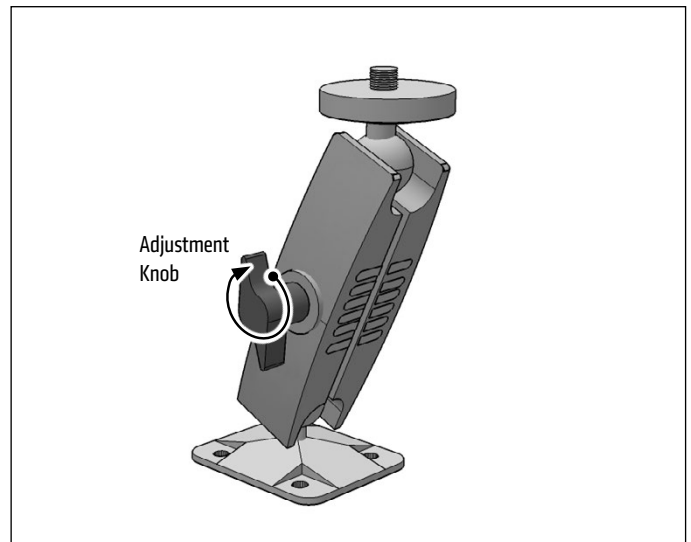
**Package Contents:**

**RMAMPS1420** – Heavy-Duty 4-Hole AMPS Head Camera Mounting Pedestal

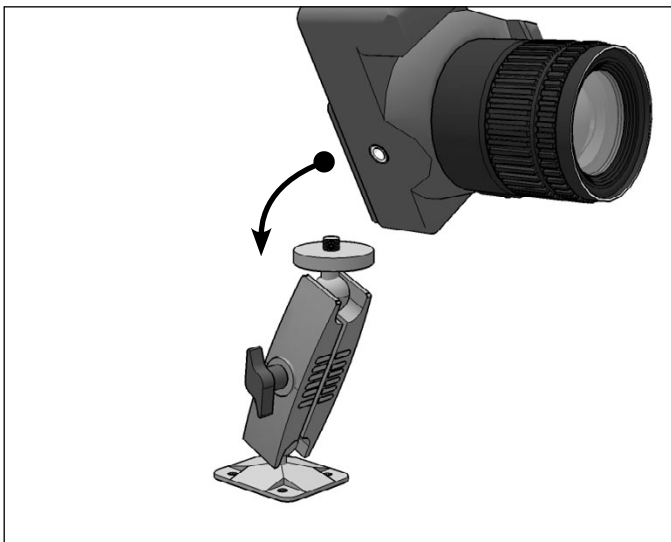
- 1 Using a screwdriver and/or drill, attach the 4-Hole AMPS mount base to flat surface with 4 screws (not included).



- 2 Loosen adjustment knob to adjust angle of pedestal and position of camera mounting ball. Retighten to secure.



- 3 Attach small camera/video camera (not included, sold separately) by screwing the 1/4"-20 bolt into the tripod socket of the camera.



**Safety Precautions**

Do not install Arkon products over an air bag cover or within the air bag deployment zone. Arkon Resources, Inc. assumes no responsibility of liability for injury or death as a result of car crashes and / or air bag deployment.

Arkon is not responsible for any damages caused to your vehicle, your device, or yourself due to the installation or use of this mount.

**ARKON**  
RESOURCES INC.

*The Mobile Mounting Specialists™*

Consumer Hotline:

USA (800) 841-0884

INT'L (626) 254-9005

Monday - Friday 9 am - 5 pm, PST

[www.arkon.com](http://www.arkon.com)

Arcadia, CA 91006 USA

Designed in USA | Made in Taiwan

©Copyright 2017 Arkon Resources, Inc.