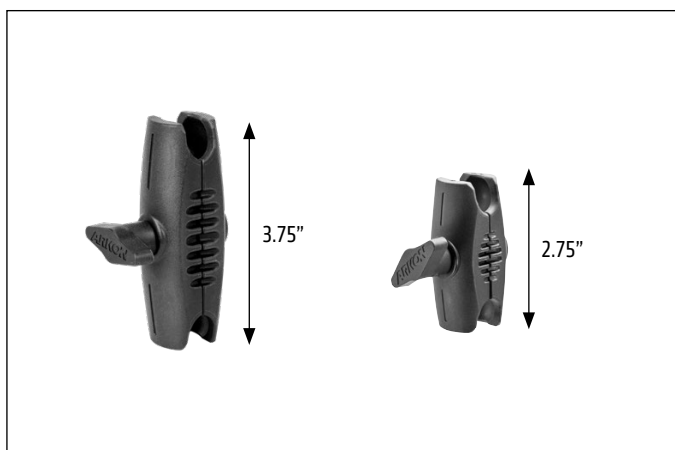




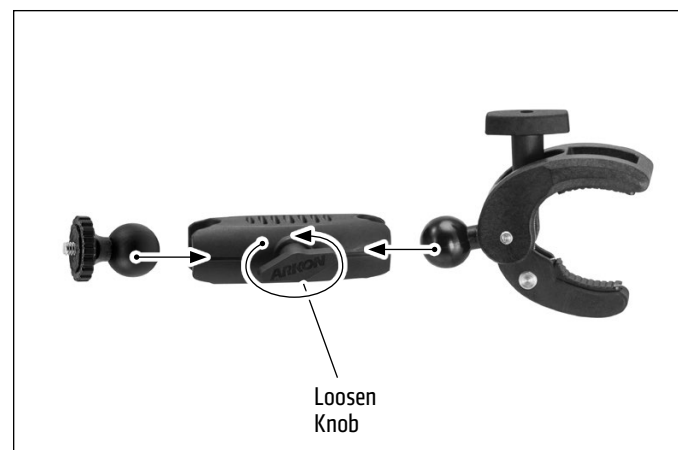
**Package Contents:**

- (1) CPM01B – Robust Clamp Mount with 25mm Ball
- (1) SP-RM250 – Robust Mount Shaft
- (1) SP-RMS250 – Small Robust Mount Shaft
- (1) SP25MMCAM – 1/4"-20 Camera Screw Mount to 25mm Ball Adapter

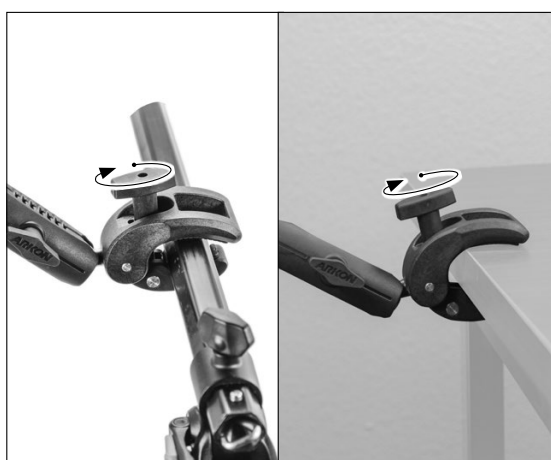
**1** Select the size of Robust Mount Shaft that will work best for your mounting environment.\*



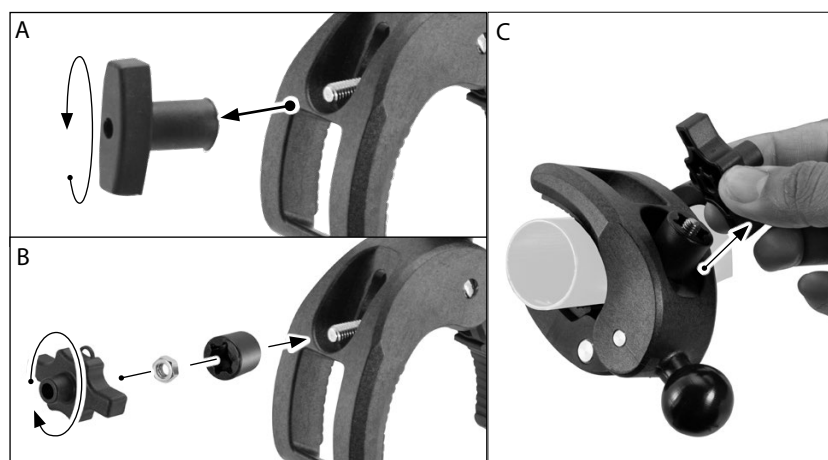
**2** Loosen the Robust Mount Shaft to attach the adapter, and clamp mount. Tighten to secure.



**3** Tighten clamp knob to mount to pole or surface.



**Optional:** To secure the clamp mount: (A) remove the existing knob (B) replace with security kit as shown (C) tighten the clamp with the removable knob key, then remove knob to deter theft.



\*To create a custom mount using both Robust Mount Shafts, Arkon recommends Models SP25MM25 (25mm Ball to 25mm Ball Adapter) or Model APT325MM (T-Shaped Adapter with Triple 25mm Ball Pattern).

**! Safety Precautions**

Arkon is not responsible for any damages caused to you, your passengers, or your device due to the installation or use of this mount.

**ARKON MOUNTS**

**Consumer Hotline:**  
**USA** (800) 841-0884  
**INT'L** (626) 254-9005  
 Monday - Friday 9 am - 5 pm, PST

**www.arkon.com**  
 Arcadia, CA 91006 USA  
 Designed in USA | Made in Taiwan and USA  
 © Copyright 2019 Arkon Resources, Inc.