

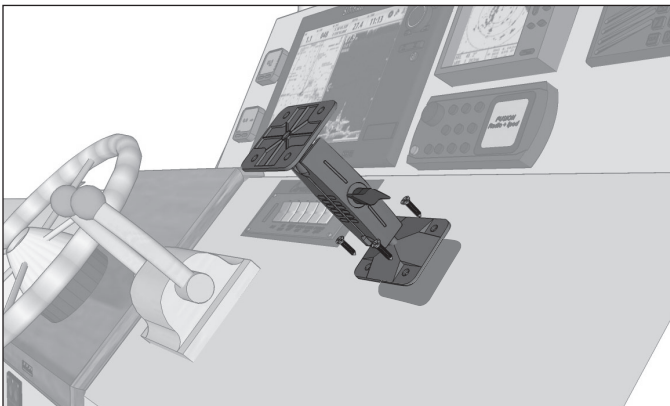
Package Contents:

- (1) APEQUIP – Metal Equipment Mounting Plate
- (1) RM2XAMPS – Robust Series 4-Hole AMPS Mounting Pedestal with 4-Hole AMPS Head
- (1) SPAMPSCW – 4 Screws with 4 Nuts

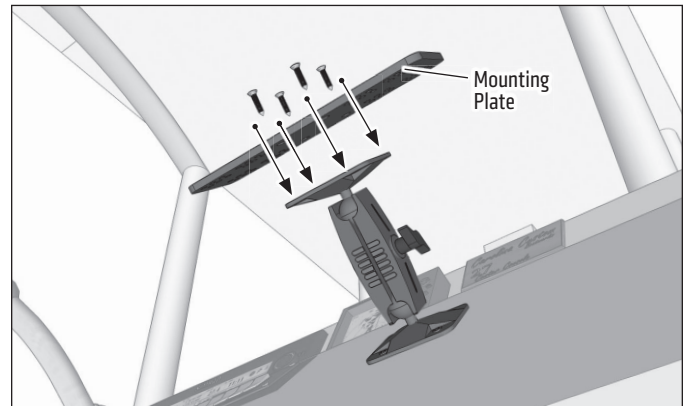
Optional: Attach other various accessories to RMEQUIP, including batteries, CB radios, and audio receivers. The plate can also be used as a splitter plate.

NOTE: 4 center holes are recessed and in 4-hole AMPS pattern; spaced at 30.17mm x 38.05mm (measured as the center-to-center distance between holes)

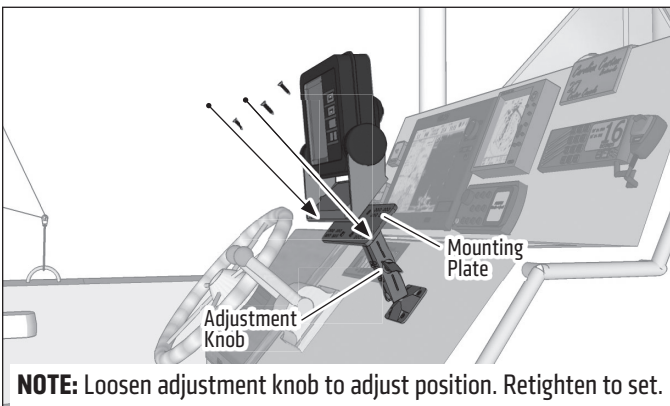
- 1 Attach the pedestal to the mounting surface through the AMPS base plate. Choose the screws (not included) that will work best on the chosen mounting surface.



- 2 Using a screwdriver and/or drill, attach the mounting plate to the pedestal using 4 screws and 4 nuts.



- 3 Attach your electronic fishfinder or other marine radio to the mounting plate through the AMPS base plate. Choose the screws (not included) that will work best to mount your device.



Safety Precautions
 Arkon is not responsible for any damages caused to you, your passengers, or your device due to the installation or use of this mount.

ARKON MOUNTS

Consumer Hotline:
 USA (800) 841-0884
 INT'L (626) 254-9005
 Monday - Friday 9 am - 5 pm, PST

www.arkon.com
 Arcadia, CA 91006 USA
 Designed in USA | Made in Taiwan and USA
 © Copyright 2021 Arkon Resources, Inc.