



SM040-2

Package Contents:

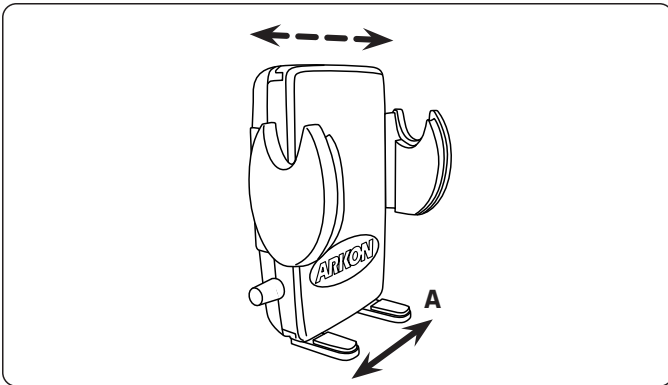
(1) SM040-2 - Mega Grip Universal Smartphone Holder

Compatible with:

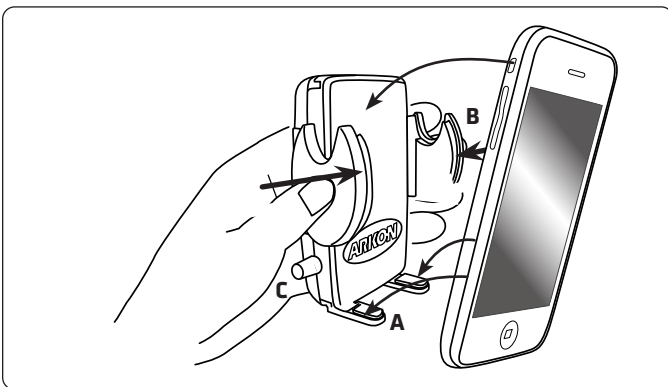
Smartphones and other devices up to 3.5" wide, with no height restriction.

Universal Holder Adjustments

- 1 If necessary, adjust the removable support legs (A) by sliding them laterally on top or bottom of the holder. These will provide added support and stability for your device.



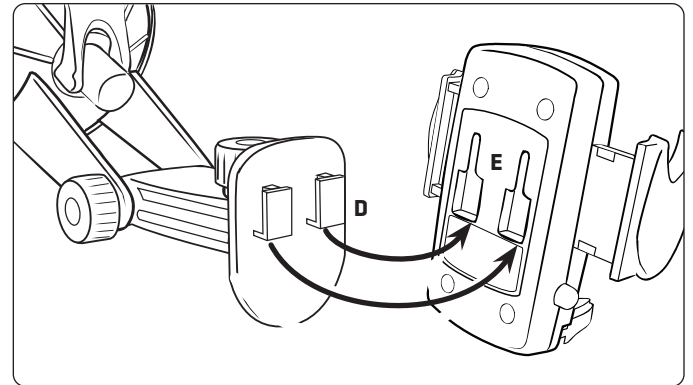
- 2 Place device on the support legs (A) and squeeze the side grip arms (B) until they fit securely to the device.



- 3 Push the release button (C) to open the side grip arms and remove the device.

Pedestal Attachment

- 1 Attach the universal holder to the Dual T-Tab pedestal head (D) (not included, sold separately) by inserting the T-Tabs into the T-Slots (E).

**Safety Precautions**

Do not install Arkon products over an air bag cover or within the air bag deployment zone. Arkon Resources, Inc. assumes no responsibility of liability for injury or death as a result of car crashes and / or air bag deployment.

Arkon is not responsible for any damages caused to your vehicle, your device, or yourself due to the installation or use of this mount.

ARKON® MOUNTS

Consumer Hotline:

USA (800) 841-0884

INT'L (626) 254-9005

Monday - Friday 9am - 5pm, PST

www.arkon.com

Arcadia, CA 91006 USA

Designed in USA | Made in USA

© Copyright 2022 Arkon Resources, Inc.