



SM040-2



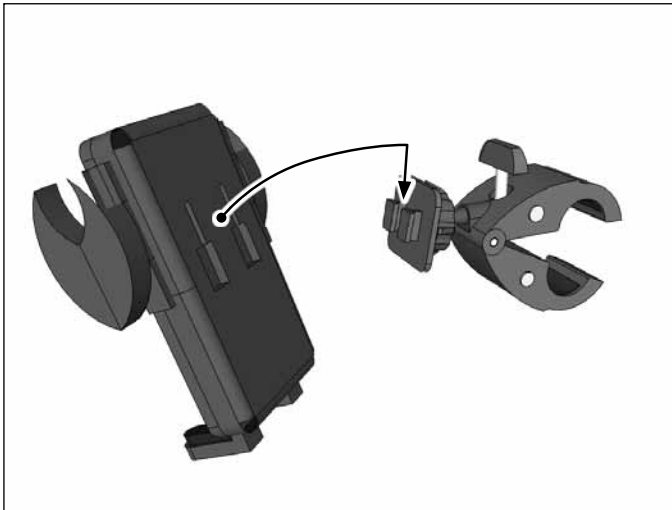
GN031-SBH-B

**Package Contents:**

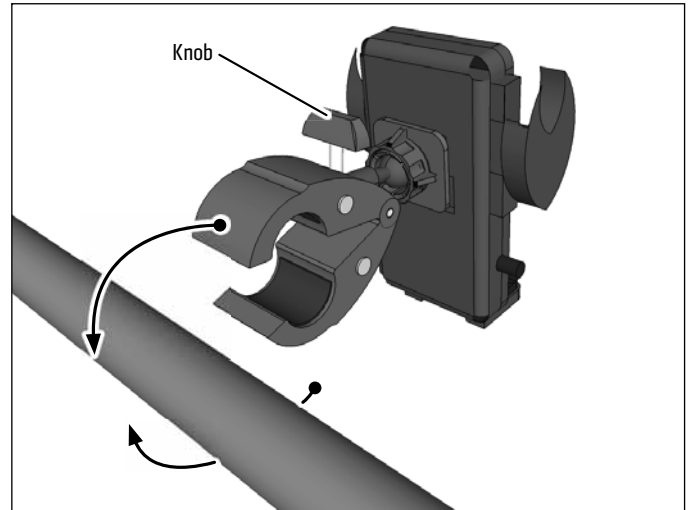
- (1) SM040-2 – Mega Grip Universal Smartphone Holder
- (1) GN031-SBH-B – Clamp Post Mount with Dual-T Head

**Compatibility:** Fits smartphones measuring up to 3.25" wide.

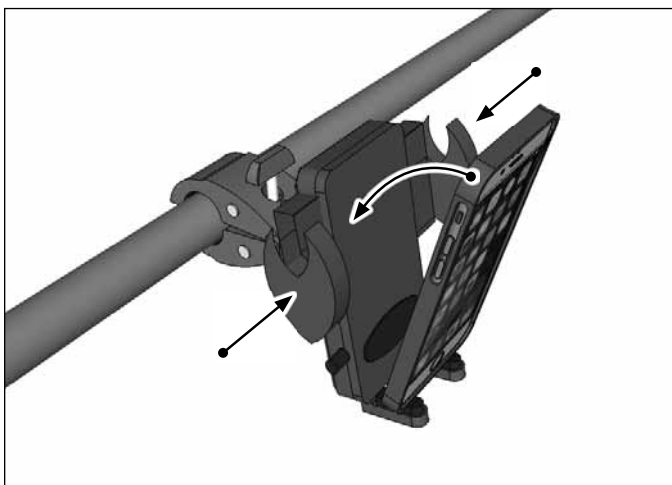
- 1 Attach holder by inserting the mount's Dual T-Tabs into the holder's Dual T-Slots.



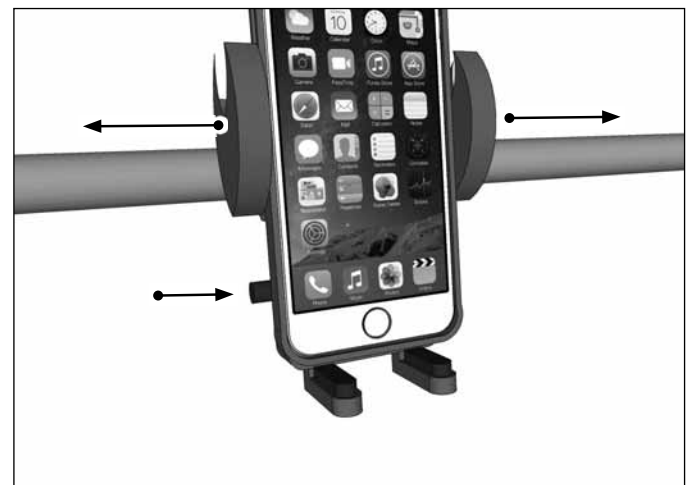
- 2 Unscrew mount's knob to loosen grip. Place the mount around pole as desired, then retighten knob to secure.



- 3 Place the phone into the holder with the device sitting on support legs. Clamp the grip arms inward to secure the device in the holder.



- 4 Press release button to open mount arms.



**! Safety Precautions**  
 Arkon is not responsible for any damages caused to your device or yourself due to the installation or use of this mount.

**ARKON**  
 RESOURCES INC.

*The Mobile Mounting Specialists™*

Consumer Hotline:  
 USA (800) 841-0884  
 INT'L (626) 254-9005  
 Monday - Friday 9 am - 5 pm, PST

[www.arkon.com](http://www.arkon.com)  
 Arcadia, CA 91006 USA  
 Designed in USA | Made in Taiwan  
 © Copyright 2017 Arkon Resources, Inc.