

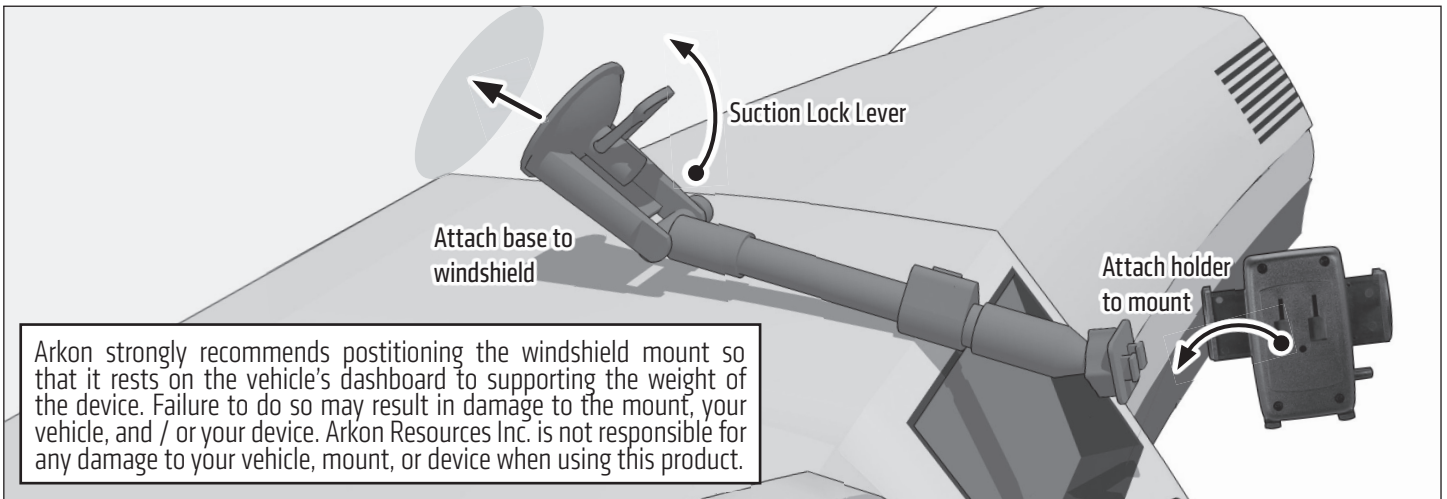
Package Contents:

- (1) SM040-2 – Mega Grip Phone Holder
- (1) CM117-SBH – Extending Windshield Suction Mount
- (1) Alcohol Pad

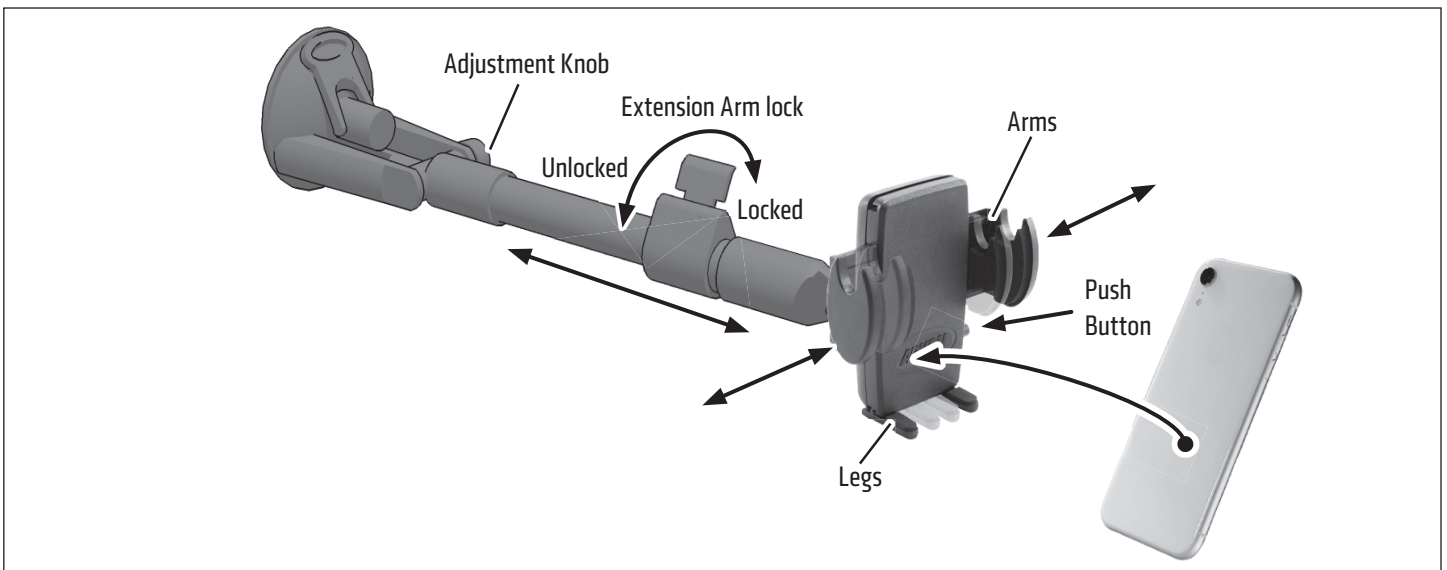


Do not use excessive force to position the mount once it is attached to the windshield, as damage to the windshield may occur. Arkon Resources Inc. is not responsible for any damage to your vehicle, mount, or device when using this product.

- 1 For best results, clean the windshield mounting surface area thoroughly with the included alcohol pad. Allow the area to dry completely. Mount to windshield and attach holder by inserting mount's Dual T-Tabs into holder's Dual T-Slots.



- 2 Adjust length of mount as necessary by unlocking extension arm. Lock arm when desired length reached. Insert device by pushing release button to release the arms. Adjust legs to desired position. Insert device and close arms to secure.



Safety Precautions

Do not install Arkon products over an air bag cover or within the air bag deployment zone. Arkon Resources, Inc. assumes no responsibility of liability for injury or death as a result of car crashes and / or air bag deployment.

Arkon is not responsible for any damages caused to your vehicle, your device, or yourself due to the installation or use of this mount.

ARKON MOUNTS

Consumer Hotline:

USA (800) 841-0884

INT'L (626) 254-9005

Monday - Friday 9am - 5pm, PST

www.arkon.com

Arcadia, CA 91006 USA

Designed in USA | Made in Taiwan

© Copyright 2021 Arkon Resources, Inc.