

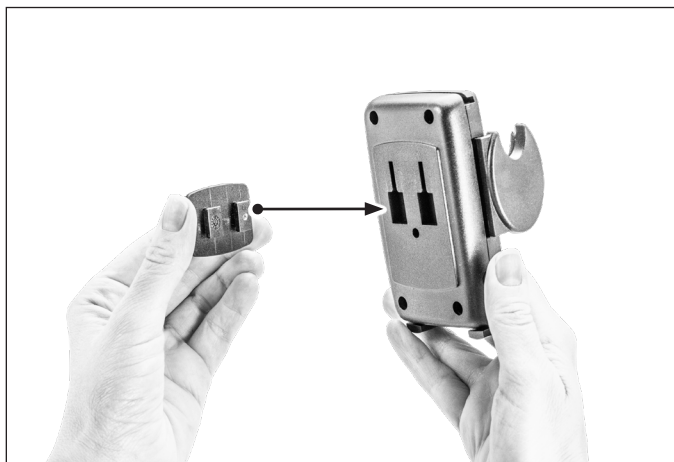


Package Contents:

- (1) SM040-2 - Mega Grip Universal Phone Holder
- (1) GN010VHB - 1.5 inch Adhesive Car Mount
- (1) SP-SB-KIT - 17mm to Dual T-Tab and Tightening Ring

DASHBOARD MOUNTING WARNING: USE CAUTION AND DISCRETION WHEN ADHERING SM4VHB TO YOUR CAR DASHBOARD OR OTHER FLAT SURFACE. THIS MOUNT USES 3M VHB ADHESIVE, WHICH IS DESIGNED TO BE A PERMANENT SOLUTION. USE OF THIS MOUNT MAY RESULT IN PERMANENT ADHERENCE TO THE SELECTED SURFACE. PROFESSIONAL STRENGTH SOLVENTS OR TOOLS MAY BE HELPFUL IN REMOVING THE ADHESIVE. ARKON IS NOT RESPONSIBLE FOR ANY DAMAGE CAUSED TO YOUR VEHICLE OR OTHER SURFACE DUE TO THE INSTALLATION OF THIS MOUNT.

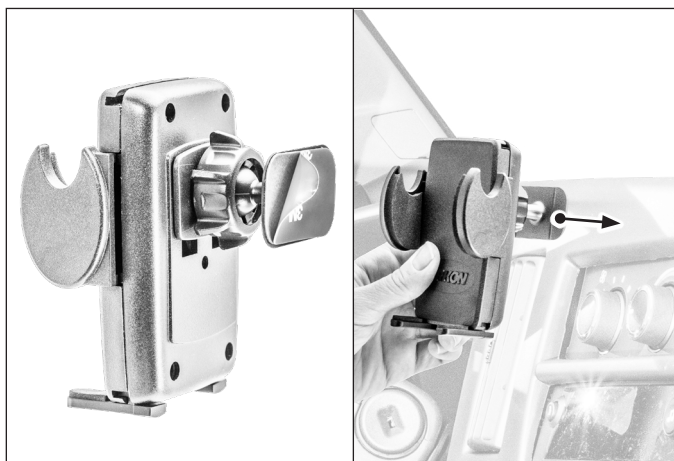
- 1 Attach Dual-T adapter to holder by inserting the adapter's Dual T-Tabs into the holder's Dual T-Slots.



- 2 Attach holder to mount by sliding ring over the mount's 17mm ball and snapping adapter onto ball. Adjust angle and tighten adjustment ring to secure.



- 3 Remove red adhesive backing from mount and attach to chosen surface.



- 4 Press the release button to open mount arms. Place the phone into holder with the device sitting on support legs. Clamp the grip arms inward to secure the device in the holder.



Safety Precautions
 Arkon is not responsible for any damages caused to your vehicle, your device, your passengers, or yourself due to the installation or use of this mount.

ARKON MOUNTS

Consumer Hotline: www.arkon.com
 USA (800) 841-0884 Arcadia, CA 91006 USA
 INT'L (626) 254-9005 Designed in USA | Made in China
 Monday - Friday 9am - 5pm, PST © Copyright 2018 Arkon Resources, Inc.