

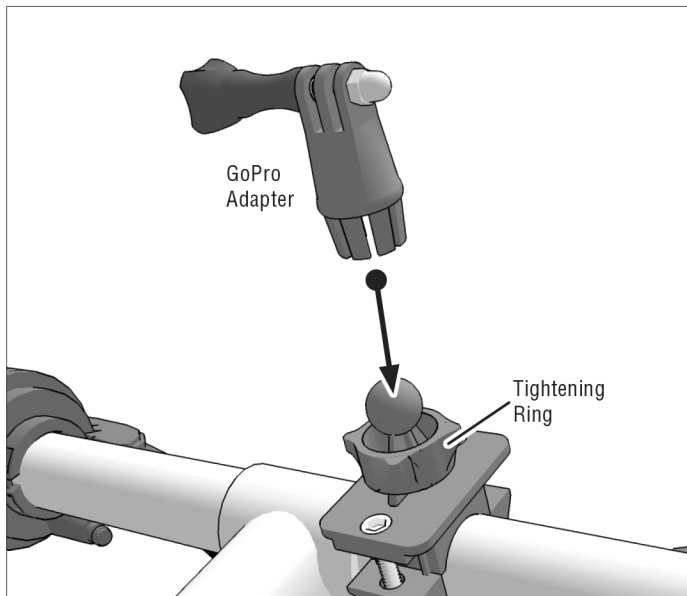
Package Contents:



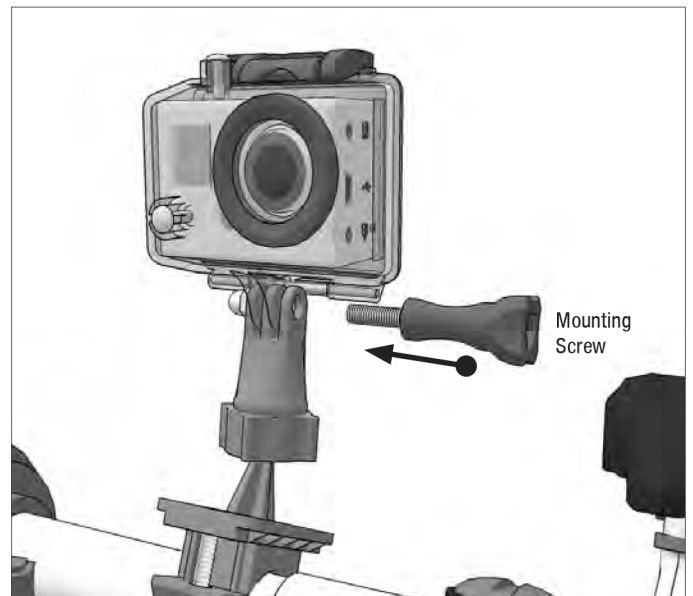
SP-SB-GPLAT  
Adapter for GoPro®  
to Arkon Ball  
Connection

GoPro® is a registered trademark of Woodman Labs, Inc. in the United States and other countries. Arkon Resources, Inc is not affiliated with Woodman Labs.

- 1 Put tightening ring over ball head, then snap GoPro adapter onto the ball head. Connect both, tighten as necessary.



- 2 Remove screw from the 3-prong bracket and insert GoPro camera and case, then re-insert screw. Tighten as needed.



**Safety Precautions**

Arkon is not responsible for any damages caused to your vehicle, your device, or yourself due to the installation or use of this mount.