

**Includes:**

- 1 - Manual
- 1 - Suction Base
- 4 - Screws (M4 x 12mm Phillips Pan Head Machine)
- 1 - Alcohol Pad (XACP)

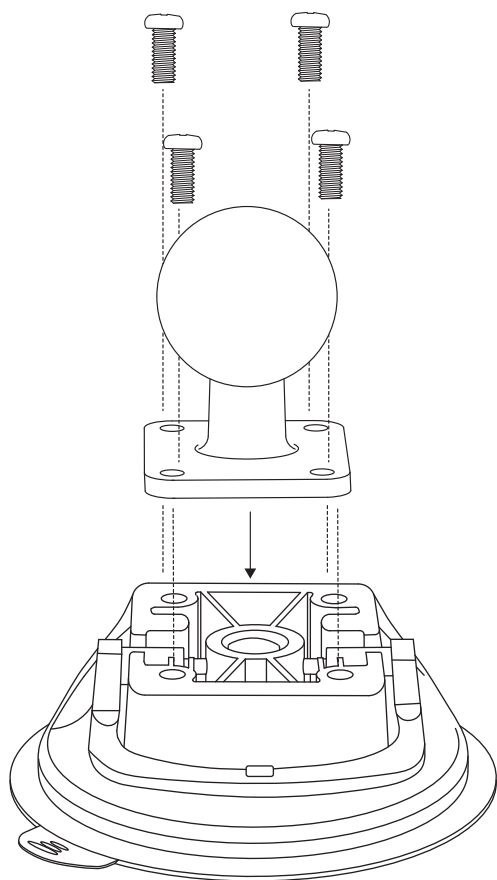
**Note:** For installing on dashboards or flat surfaces that contain texturized material the use of a dash mounting disc may be required.

**Important:** Clean the application surface and make sure it is free of dirt, dust, and grease before installing the mounting hardware.

1

**Install the hardware (sold separately)**

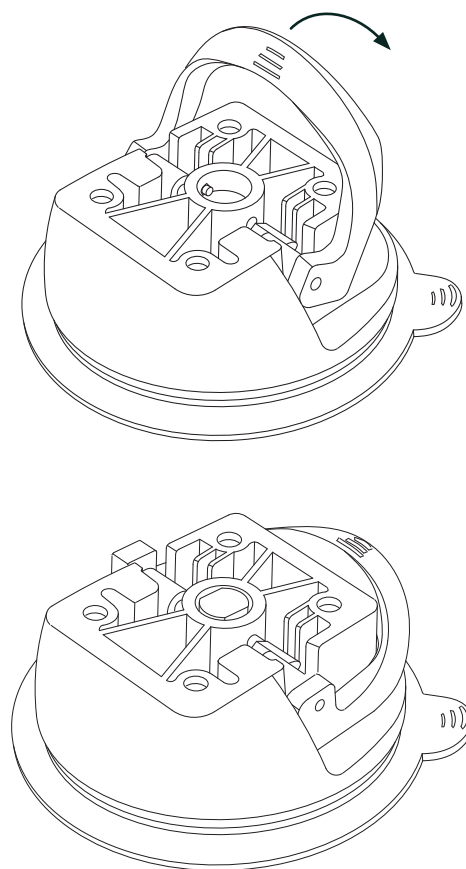
Depending on the system being installed, the suction cup base can be mounted with or without your hardware being attached. Please note that the suction cup base lever may prevent installation of your hardware if not mounted first. Screws for installing your hardware are included with the system.



2

**Install the suction cup base to surface**

Locate a safe flat surface on the dash or console to mount the base. Clean the surface with the provided alcohol pad. Let the surface dry before applying. Remove the clear plastic protective film from the suction base. Push the pedestal suction cup firmly to the surface. Flip the lever down to secure the suction cup.



**WARNING**

CHOKING HAZARD - Keep out of reach from children under 8 yrs. as they can choke or suffocate on parts included with this system

**WARNING**

Arkon® is not responsible for any damages caused to your device or yourself due to the installation or use of this mount. Do not install Arkon® products near areas that interfere with operation of vehicles. Arkon® assumes no responsibility or liability for injury or death as a result of failure to install in a safe location. Arkon® is not responsible for any damages caused to vehicles, product, or people due to the installation or use of this product.

