



SP25MM17

Package Contents:

(1) SP25MM17 - 25mm Ball to 17mm Ball Adapter

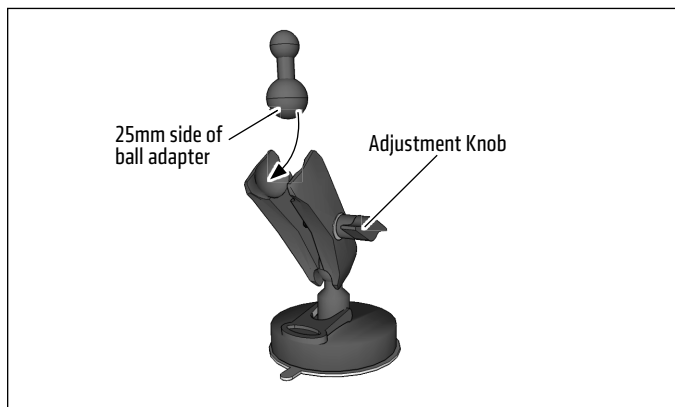
Device Compatibility:

SP25MM17 can be used with Arkon's Robust Series Mounts including:

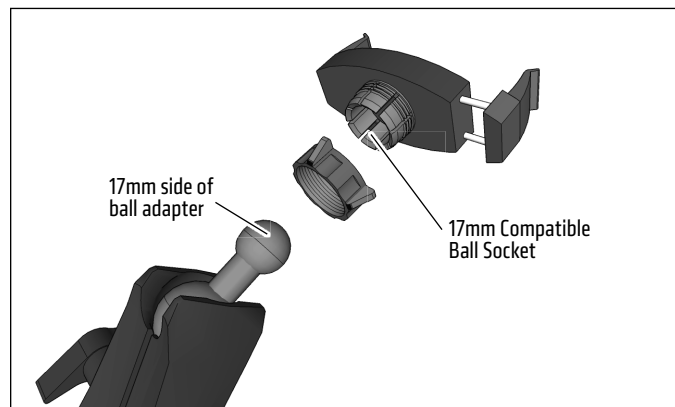
- IPARM086 - C-Clamp Mounting Pedestal with iPad Air™ Custom Holder
- RM080AMPS - 80mm Suction Mounting Pedestal with 4-Hole AMPS Head
- RM0792TWD - Sticky Suction Mounting Pedestal with Dual-T Head
- RM2XAMPS - 4-Hole AMPS to 4-Hole AMPS Mounting Pedestal
- RMS2XAMPS - Small 4-Hole AMPS to 4-Hole AMPS Mounting Pedestal
- RMAMPS2T - 4-Hole AMPS Mounting Pedestal with Dual-T Head
- RM0801420 - Windshield Suction Mounting Pedestal with 1/4"-20 Camera Head
- RM0802T - 80mm Suction Mounting Pedestal with Dual-T Head
- RM0861420 - C-Clamp Mounting Pedestal with 1/4"-20 Camera Head
- RM0862T - C-Clamp Mounting Pedestal with Dual-T Head
- RMAMPS1420 - 4-Hole AMPS Mounting Pedestal with 1/4"-20 Camera Head
- TABRM086 - C-Clamp Tablet Mount

SP25MM17 can also be used with 17mm ball socket compatible Garmin® GPS devices connected to a mounting pedestal listed above.

- 1** Attach ball adapter to an Arkon Robust Series or other 25mm compatible mounts (sold separately, not included) by loosening the adjustment knob to open up the pedestal.



- 2** Attach any 17mm ball device, such as a compatible Garmin nüvi or other Arkon Dual-T head & holder (sold separately, not included), to the adapter ball head.



The Mobile Mounting Specialists™

Consumer Hotline:

USA (800) 841-0884

INT'L (626) 254-9005

Monday - Friday 9 am - 5 pm, PST

www.arkon.com

Arcadia, CA 91006 USA

Designed in USA | Made in Taiwan

© Copyright 2014 Arkon Resources, Inc.