

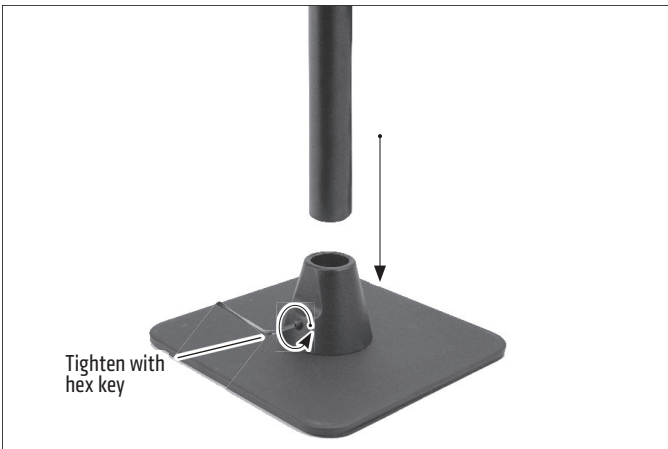


Package Contents:

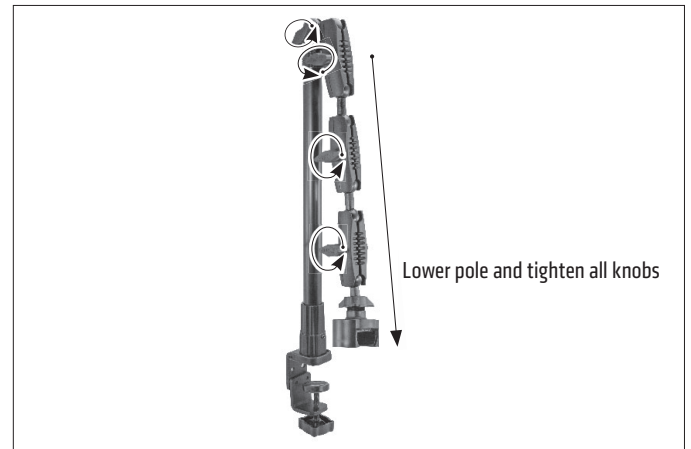
- (1) SPHD8L29 – 29” Extendable Pole
- (1) SPHD8BASE – Base Stand

To convert your Arkon ProStand Clamp Mount to a Base Stand version:

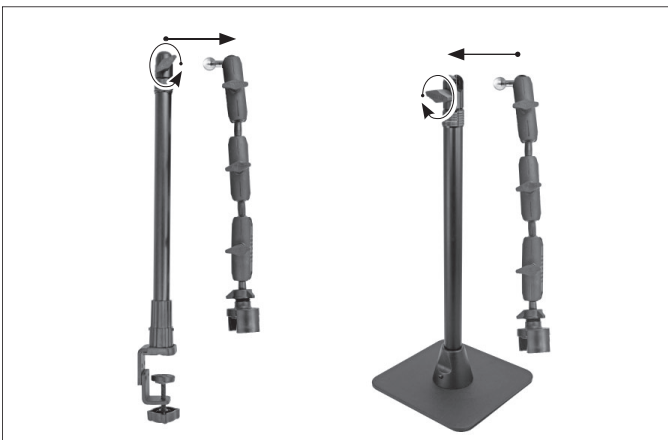
- 1** Insert pole into the base collar and secure with hex key.
PLEASE NOTE-this will be a tight fit and will require some force.



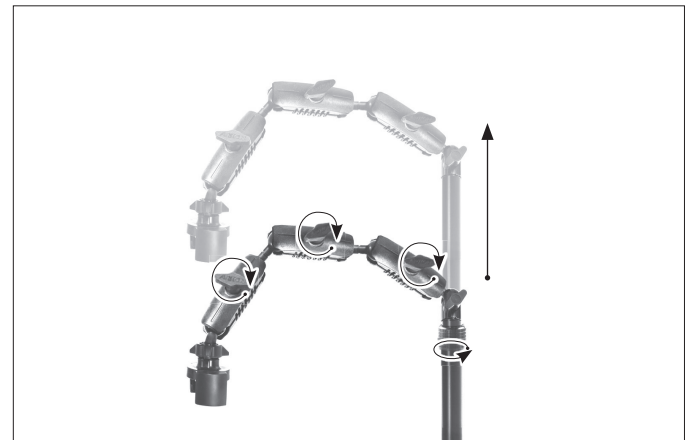
- 2** Lower pole on your clamp mount, then secure the pole and arm by tightening adjustment knobs to prevent injury.



- 3** Loosen adjustment knob and remove arm from clamp mount and attach it to the top of SPHD8L29. Tighten adjustment knob to secure.



- 4** Adjust the height of the pole by loosening the adjustment collar. Tighten at desired height.



Safety Precautions

Always use two hands (one on shaft, and one on base) when carrying. Failure to properly secure the stand's shaft to the base could cause bodily injury or harm. The Arkon Pro Stand is designed for use with smartphones and small cameras. If using heavier devices, be sure to add a counterbalance in order to prevent the stand from falling over. Arkon Resources, Inc. is not responsible for any damages caused to your device or yourself due to the installation or use of this mount.

ARKON MOUNTS

Consumer Hotline:

USA (800) 841-0884

INT'L (626) 254-9005

Monday - Friday 9 am - 5 pm, PST

www.arkon.com

Arcadia, CA 91006 USA

Designed in USA | Made in Taiwan and USA

© Copyright 2019 Arkon Resources, Inc.