



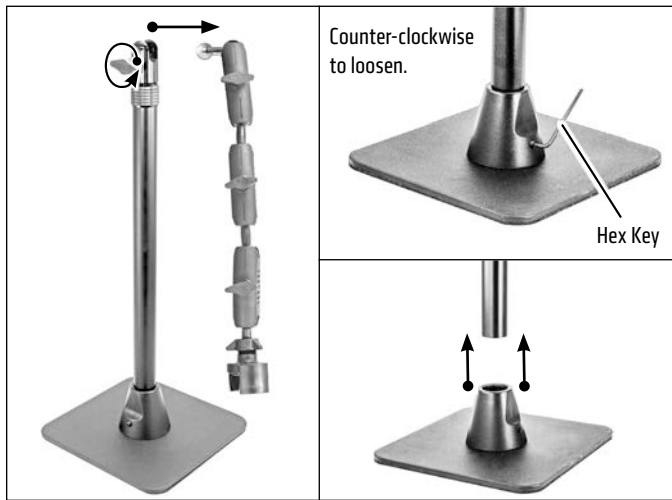
SPHD8L29TEAL

Package Contents:

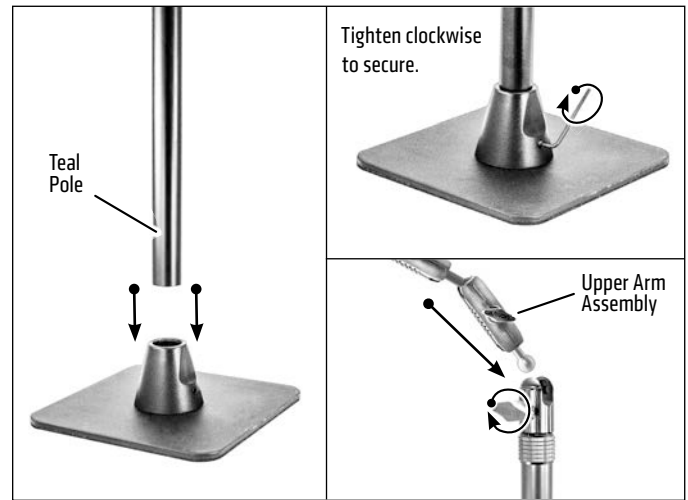
(1) SPHD8L29TEAL – Teal 17-29" Extendable Pole

If your current Pro Stand model has a WEIGHTED BASE:

1 Remove upper arm assembly from current Pro Stand pole. Loosen pole from the base using hex key, and remove pole from the base.

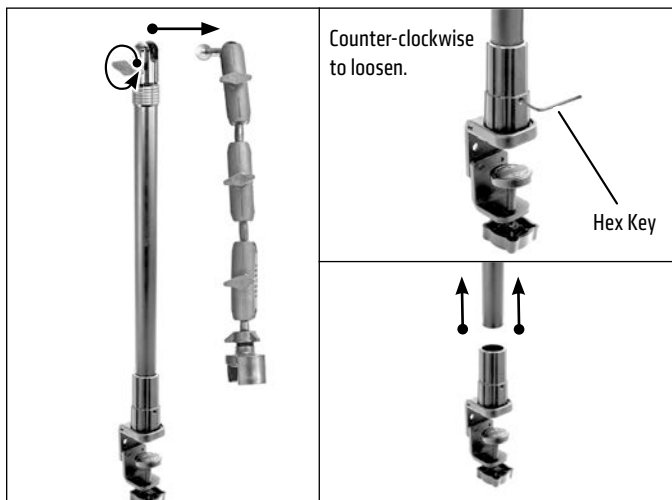


2 Insert teal pole into the base collar and secure with hex key. **PLEASE NOTE – this will be a tight fit and will require some force.** Reattach the upper arm assembly.

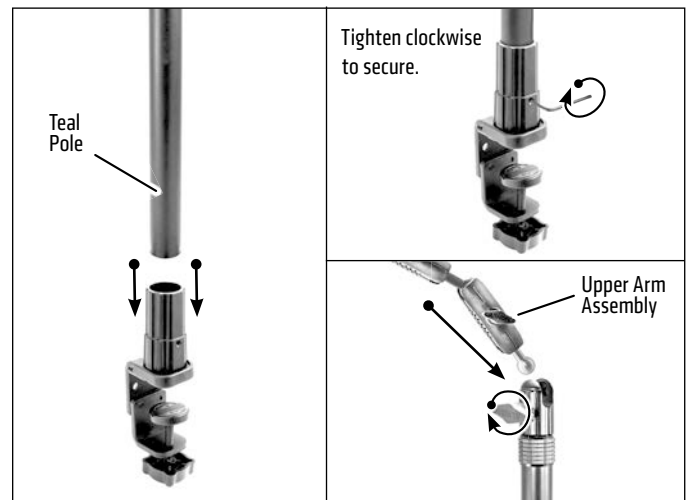


If your current Pro Stand model has a CLAMP BASE:

3 Remove upper arm assembly from current Pro Stand pole. Loosen pole from the clamp base using hex key, and remove pole from the clamp base.



4 Insert teal pole into the clamp collar and secure with hex key. **PLEASE NOTE – this will be a tight fit and will require some force.** Reattach the upper arm assembly.



⚠ Safety Precautions
 Devices should be detached or removed from the Pro Stand before unclamping or moving. Always use two hands (one on pole, one on base) when carrying. Always make sure all clamps are tightly secured before using the stand. Arkon Resources Inc. is not responsible for any damages caused to your device or yourself due to the installation or use of this stand.

ARKON MOUNTS
 Consumer Hotline: www.arkon.com
 USA (800) 841-0884 Arcadia, CA 91006 USA
 INT'L (626) 254-9005
 Monday - Friday 9 am - 5 pm, PST
 Designed in USA | Made in Taiwan and USA
 © Copyright 2020 Arkon Resources, Inc.