

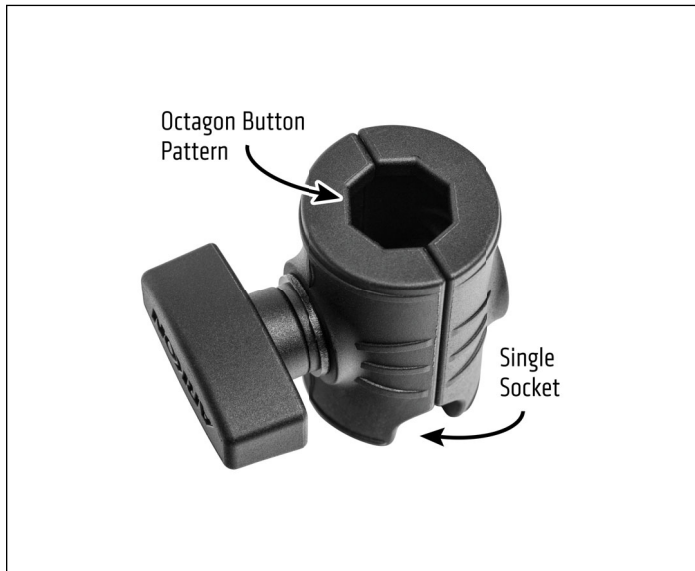


SPRM8SKT

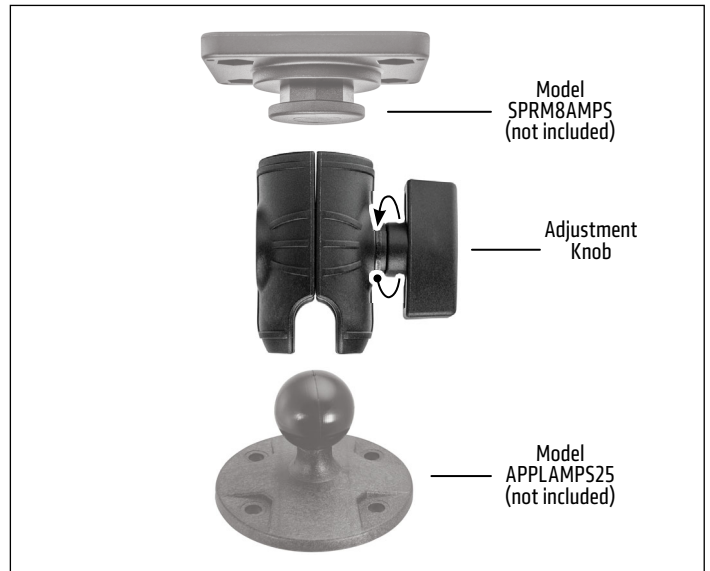
Package Contents:

SPRM8SKT – Single 25mm Ball Socket Arm with Octagon Button Socket

1 Robust connector arm has an octagon button pattern socket on one end with 25mm (1 inch) ball compatible socket on other end.



2 Attach any octagon button pattern compatible base (not included, sold separately) to one end of the Robust connector arm by loosening the adjustment knob. Attach any 25mm (1 inch) compatible base, adapter or holder (not included, sold separately) to the other end. Retighten knob to set.



! Safety Precautions
Do not install Arkon products over an air bag cover or within the air bag deployment zone. Arkon Mounts assumes no responsibility of liability for injury or death as a result of car crashes and / or air bag deployment.

Arkon is not responsible for any damages caused to your vehicle, your device, your passengers, or yourself due to the installation or use of this mount.

ARKON MOUNTS

Consumer Hotline:
USA (800) 841-0884
INT'L (626) 254-9005
Monday - Friday 9am - 5pm, PST

www.arkon.com
Arcadia, CA 91006 USA
Designed in USA | Made in China
© Copyright 2022 Arkon Resources, Inc.